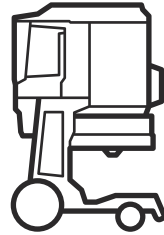




Husqvarna®



DE 110i H, DE 120 H PACE

EN	Operator's manual
ES-MX	Manual del usuario
FR-CA	Manuel d'utilisation

2-31
32-64
65-97

Contents

Introduction.....	2	Transportation, storage and disposal.....	25
Safety.....	5	Technical data.....	28
Operation.....	11	Accessories.....	29
Maintenance.....	18	Warranty.....	30
Troubleshooting.....	22	Registered trademarks.....	31

Introduction

Owner responsibility



WARNING: Processing of concrete and stone by methods such as cutting, grinding or drilling, especially during dry operation, generates dust that comes from the material being processed, which frequently contains silica. Silica is a basic component of sand, quartz, brick clay, granite and numerous other minerals and rocks. Exposure to excessive amount of such dust can cause:

Respiratory disease (affecting your ability to breathe), including chronic bronchitis, silicosis and pulmonary fibrosis from exposure to silica. These diseases may be fatal;

Skin irritation and rash.

Cancer according to NTP* and IARC* */ National Toxicology Program, International Agency for Research on Cancer.

Take precautionary steps:

Avoid inhalation of and skin contact with dust, mist and fumes.

Wear and ensure that all bystanders wear appropriate respiratory protection such as dust masks designed to filter out microscopic particles. (See OSHA 29 CFR Part 1926.1153)

To minimize dust emissions use an appropriate dust extractor.

It is the owner's/employer's responsibility that the operator has sufficient knowledge about how to use the

product safely. Supervisors and operators must have read and understood the Operator's Manual. They must be aware of:

- The product's safety instructions.
- The product's range of applications and limitations.
- How the product is to be used and maintained.

National/Local regulations could restrict the use of this product. Find out what regulations are applicable where you work before you start using the product.

Product description

The product is a battery dust extractor. Dust-laden air goes through the suction hose into the inlet valve. The product separates the dust particles from the air. The particles fall into the plastic bag at the bottom of the product.

Intended use

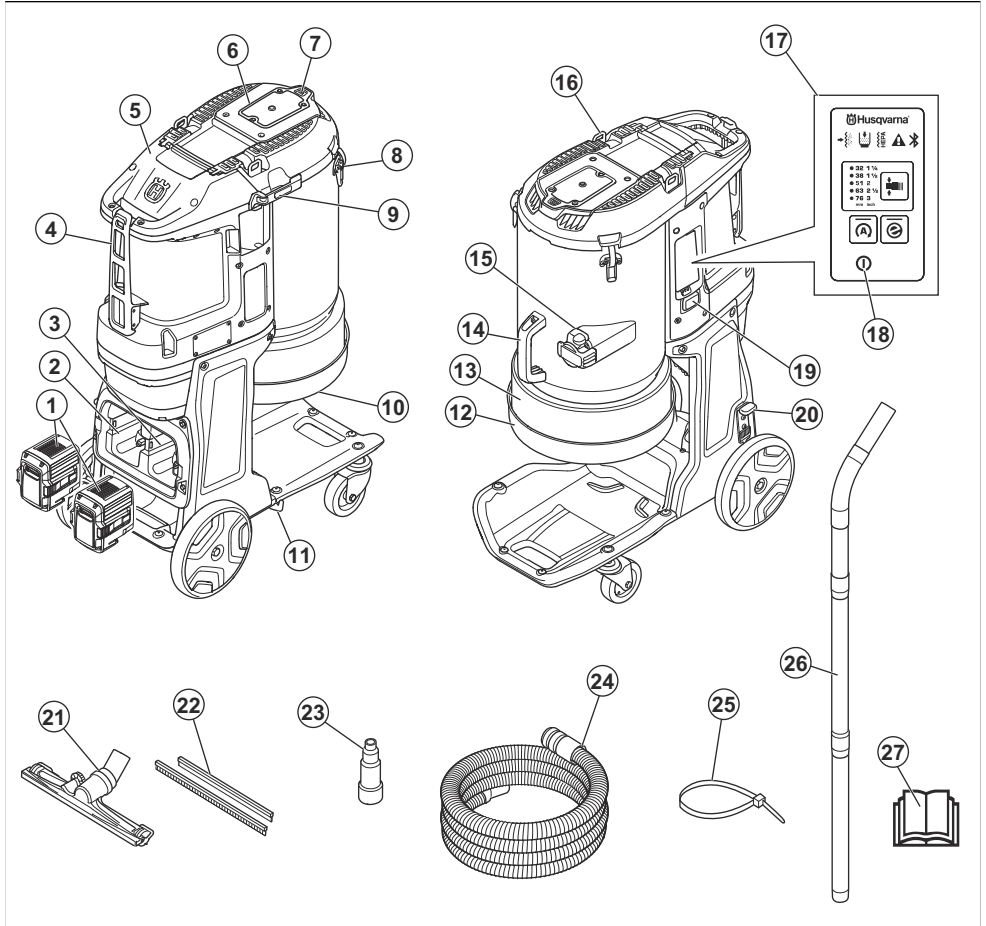


WARNING: Do not collect ignition sources, hot particles, liquids, explosive material and unstable or pyrophoric particles.

The product is for professional operations only. The product is used to collect and remove dry material from machines and devices. The material can be dangerous and harmful to health, refer to the dust class H in EN 60335-2-69.

Do not use the product for other tasks. Only use the product with accessories that are approved by the manufacturer.

Product overview



- | | |
|--------------------------------------|--|
| 1. Battery (Accessory) | 16. Lift eye |
| 2. Storage for spare battery | 17. Control panel, refer to <i>Functions of the control panel on page 13</i> |
| 3. Battery holder | 18. On/Off |
| 4. Fastener for dust extraction hose | 19. Hour meter |
| 5. HEPA filter cover | 20. Wheel brake |
| 6. Prefilter cover | 21. Floor nozzle |
| 7. Filter purge button | 22. Rubber strips |
| 8. Cover lock | 23. Hose nozzle (DE 110i H) |
| 9. Handle pipe toggle fastener | 24. Dust extraction hose |
| 10. Dust release rubber cone | 25. Cable tie |
| 11. Handle pipe bracket | 26. Handle pipe |
| 12. Longopac holder | 27. Operator's manual |
| 13. Longopac | |
| 14. Handle | |
| 15. Hose lock | |

Symbols on the product



WARNING: This product can be dangerous and cause serious injury or death to the operator or others. Be careful and use the product correctly.



Read the manual carefully and make sure that you understand the instructions before you use the product.



Use hearing protection, eye protection and respiratory protection. Refer to *Personal protective equipment on page 9*.



Do not use metal hooks, chains or other lifting equipment with rough edges that can cause damage to the lifting eye. Only use soft lifting straps.



This device is H-classified, certified by a third party according to IEC-60335-2-69, EN-60335-2-69 Annex AA.

This device contains harmful dust. Empty and maintenance operations, including the removal of the dust collection containers, may only be carried out by experts who wear appropriate protective equipment. Never operate the dust extractor without the complete filtration system.



The product is not domestic waste. Recycle it at an approved disposal location for electrical and electronic equipment.



If the product features Bluetooth® wireless technology. The Bluetooth® symbol will be marked on the product name label. Refer to *Bluetooth® wireless technology on page 12*.

Symbols on the battery and/or on the battery charger



The product or package of the product is not domestic waste.



Recycle the product at an applicable disposal location for electrical and electronic equipment.



Do not put the battery in water.



Keep the battery away from sunlight, heat or open flame.

IPX4

The product has protection against splashing water.



Functional grounding.



Fail-safe transformer.



Use and keep the battery charger indoors only.



Double insulation.

Embedded connectivity

The cloud asset management solution Husqvarna Fleet Services™ gives the fleet manager an overview of all products that are connected via either embedded or aftermarket sensors. The position of the gateway or smartphone can be used to indicate the location of connected products. The sensors record data like runtime, service intervals and more. For more information about the cloud asset management solution Husqvarna Fleet Services™, download the iOS or Android app Husqvarna Fleet

Services at <https://apps.apple.com/se/app/husqvarna-fleet-services/id1334672726> or <https://play.google.com/store/apps/details?id=com.husqvarna.hfsmobile&hl=en>. Speak to your Husqvarna sale representative for more information.

Some types of this product are connected via the embedded Husqvarna Fleet Services™ sensor that has the Bluetooth Low Energy (BLE) function. For more information regarding how to use it, refer to *To use embedded connectivity with fleet on page 12*. For information about the BLE technology radio spectrum, refer to *Embedded connectivity on page 28*. For compliance reservations regarding Husqvarna Fleet Services™, refer to *Compliance reservations on page 5*.

Compliance reservations

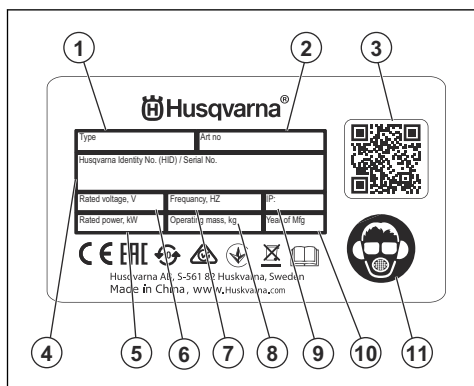
Note: Changes or modifications made to this equipment not expressly approved by Husqvarna may void the equipment's compliance with FCC regulations, and limit the user's authority to operate the equipment.

Note: This device complies with Part 15 of the FCC Rules and with Industry Canada licence-exempt RSS standard(s).

Operation is subject to the following two conditions:

- this device may not cause harmful interference
- this device must accept any interference received, including interference that may cause undesired operation

Type plate



1. Model
2. Article number
3. Scannable code
4. Serial number
5. Rated power
6. Rated voltage
7. Frequency
8. Weight
9. IP class
10. Production year
11. Personal protective equipment

Product liability

As referred to in the product liability laws, we are not liable for damages that our product causes if:

- the product is incorrectly repaired.
- the product is repaired with parts that are not from the manufacturer or not approved by the manufacturer.
- the product has an accessory that is not from the manufacturer or not approved by the manufacturer.
- the product is not repaired at an approved service center or by an approved authority.

Safety

Safety definitions

Warnings, cautions and notes are used to point out specially important parts of the manual.



WARNING: Used if there is a risk of injury or death for the operator or bystanders

if the instructions in the manual are not obeyed.



CAUTION: Used if there is a risk of damage to the product, other materials or the adjacent area if the instructions in the manual are not obeyed.

Note: Used to give more information that is necessary in a given situation.

General safety instructions



WARNING: Read the warning instructions that follow before you use the product.



WARNING: PACE products contain hazardous voltages inside the enclosure. In order to avoid electric shock: Do not attempt to open the product. Do not operate a damaged product. Do not connect a PACE battery to a damaged product. If the product becomes damaged during use, remove the PACE battery from the product, and contact your Husqvarna Service center.

- This product is a dangerous tool if you are not careful or if you use the product incorrectly. This product can cause serious injury or death to the operator or others. Before you use the product, you must read and understand the contents of this operator's manual.
- Do not let a person (including children) with reduced physical, sensory or mental capabilities use the product, unless they have been given supervision or instruction concerning use of the product by a person responsible for their safety.
- Make sure that you have experience and knowledge about the product before use.
- Make sure that all controls are off before you disconnect the battery.
- Comply with all applicable laws and regulations.
- The operator and the employer of the operator must know and prevent the risks during operation of the product.
- Do not let a person operate the product unless they read and understand the contents of the operator's manual.
- Do not operate the product unless you receive training before use. Make sure that all operators receive training.
- Do not let a child operate the product.
- Only let approved persons operate the product.
- The operator is responsible for accidents that occur to other persons or their property.

- Do not use the product if you are tired, ill, or under the influence of alcohol, drugs or medicine.
- Always be careful and use your common sense.
- This product produces an electromagnetic field during operation. This field can under some circumstances interfere with active or passive medical implants. To decrease the risk of serious injury or death, we recommend persons with medical implants to speak to their physician and the medical implant manufacturer before operating this product.
- Keep the product clean. Make sure that you can clearly read signs and decals.
- Do not use the product if it is defective.
- Do not do modifications to this product or the battery pack.
- Do not operate the product if it is possible that other persons have done modifications to the product.
- Do not operate the product without necessary filters.
- Save all warnings and instructions.

Battery safety



WARNING: Read the warning instructions that follow before you use the product.



WARNING: A damaged battery can cause an explosion and cause injury. If the battery has a deformation or is damaged, speak to an approved Husqvarna service agent.

- Only use the BLi batteries that we recommend for your product. The batteries are software encrypted.
- Use only original batteries for this product. There is a risk of explosion if the batteries are replaced with a battery of incorrect type. Speak to your dealer for more information.
- Use BLi batteries that are rechargeable as a power supply for the related Husqvarna products only. To prevent injury, do not use the battery as a power supply for other devices.
- Risk of electrical shock. Do not connect the battery terminals to keys, screws or other metal. This can cause a short circuit of the battery.
- If the battery leaks, do not let the liquid touch your body, clothes or the product. If you touch the liquid, clean the area with a large quantity of water and get medical aid.
- Use protective glasses when you are near batteries. If you get liquid in your eyes, do not rub but flush with water for a minimum of 15 minutes. Get medical aid.
- Do not use batteries that are non-rechargeable.
- Do not do modifications to the battery.
- Do not put objects into the air slots of the battery.

- Keep the battery away from sunlight, heat or open flame. The battery can cause an explosion and cause burns and/or chemical burns.
- Keep the battery away from rain and wet conditions.
- Keep the battery away from microwaves and high pressure.
- Do not try to disassemble or break the battery.
- Use the battery only when the ambient temperature is between -10 °C / 14°F and 40 °C / 104 °F.
- Do not clean the battery or the battery charger with water. Refer to *To do a check of the battery and the battery holder on page 19*.
- Do not use a damaged battery.
- Keep batteries in storage away from metal objects such as nails, screws or jewelry.
- Keep the battery away from children.
- Attach the battery correctly. An incorrectly attached battery can cause a short circuit of the battery.

Battery charger safety



WARNING: Read all safety warnings and all instructions. Failure to follow the warnings and instructions may result in electrical shock, fire and/or serious injury.

- Risk of electrical shock or short circuit if the safety instructions are not obeyed.
- Do not use other battery chargers than the one supplied for your product. Only use Husqvarna QC or Husqvarna PACE chargers when you charge Husqvarna replacement batteries BLi or PACE.
- Do not try to disassemble the battery charger.
- Do not use a damaged battery charger.
- Do not lift the battery charger by the power cord. To disconnect the battery charger from a mains socket, pull out the plug. Do not pull the power cord.
- Keep all cables and extension leads away from water, oil and sharp edges. Make sure that the cable is not caught between doors, fences or equivalent.
- Do not use the battery charger near flammable materials or materials that can cause corrosion. Make sure that the battery charger is not covered. Pull out the plug to the battery charger if there is smoke or fire.
- Only charge the battery indoors in a location with good airflow and away from sunlight. Do not charge the battery outdoors. Do not charge the battery in wet conditions.
- Only use the battery charger where the temperature is between 5 °C / 41 °F and 40 °C / 104 °F. Use the charger in an environment which has a good airflow, dry and free from dust.
- Do not put objects into the air slots of the battery charger.
- Do not connect the battery charger terminals to metal objects as this can short circuit the battery charger.

Work area safety

- **Keep work area clean and well lit.** Cluttered or dark areas invite accidents.
- **Do not operate the product in explosive atmospheres, such as in the presence of flammable liquids, gases or dust.** The product create sparks which may ignite the dust or fumes.
- **Keep children and bystanders away while operating the product.** Distractions can cause you to lose control.

Electrical safety



WARNING: Do not expose the appliance to rain or wet conditions. Water entering an electric appliance will increase the risk of electric shock.

- **The plug on the supply cord of the appliance must match the outlet. Do not change the plug in any way. Do not use adapter plugs with earthed (grounded) appliances.** Unmodified plugs and matching outlets reduce risk of electric shock.
- **Insert the plug in a suitable earthed/grounded power outlet which has been correctly and safely installed and is in compliance with local regulations. If you are in doubt about the effectiveness of the power outlet's earth/ground connection, have it checked by a qualified specialist.**
- **Avoid body contact with earthed or grounded surfaces, such as pipes, radiators, cookers, stoves and refrigerators.** There is an increased risk of electric shock if your body is earthed or grounded.
- **Check to ensure that the supply cord does not lie in a puddle of water.**
- **Check the appliance's supply cord at regular intervals and have it replaced by the manufacturer or his agent if damage is found. Check extension cords at regular intervals and replace them if found to be damaged.**
- **Do not touch the supply cord or extension cord if they are damaged while working. Disconnect the supply cord plug from the power outlet.** Damaged supply cords or extension cords present a risk of electric shock.
- **Do not abuse the cord. Never use the cord for carrying, pulling or unplugging the appliance. Keep the cord away from heat, oil, sharp edges or moving parts.** Damaged or entangled cords increase the risk of electric shock.
- **When operating an electric appliance outdoors, use only extension cords of a type suitable for outdoor use.** Use of an extension cord suitable for outdoor use reduces the risk of electric shock.

- **In the event of an interruption in the electric supply, switch the appliance off and unplug it from the power outlet.**
- **Never operate the appliance when it is dirty or wet.** Dust (especially dust from conductive materials) or dampness adhering to the surface of the appliance may, under unfavorable conditions, lead to electric shock. **Dirty or dusty appliances should thus be checked by an approved service agent at regular intervals, especially if used frequently for working on conductive materials.**
- **If operating an appliance in a damp location is unavoidable, use a residual current device (RCD) protected supply.** Use of a RCD reduces the risk of electric shock.
- Do periodic electrical safety tests on the product. Refer to local regulations for the correct procedure.

Personal safety

- **Stay alert, watch what you are doing and use common sense when operating the product. Do not use the product while you are tired or under the influence of drugs, alcohol or medication.** A moment of inattention while operating the product may result in serious personal injury.
- **Use personal protective equipment. Always wear eye protection.** Protective equipment such as dust mask, non-skid safety shoes, hard hat or hearing protection used for appropriate conditions will reduce personal injuries.
- **Prevent unintentional starting. Ensure the switch is in the off-position before connecting to power source and/or battery pack, picking up or carrying the product.** Carrying the product with your finger on the switch or energizing the product that have the switch on invites accidents.
- **Remove any adjusting key or wrench before turning the product on.** A wrench or a key left attached to a rotating part of the product may result in personal injury.
- **Do not overreach. Keep proper footing and balance at all times.** This enables better control of the product in unexpected situations.
- **Dress properly. Do not wear loose clothing or jewellery. Keep your hair and clothing away from moving parts.** Loose clothes, jewellery or long hair can be caught in moving parts.
- **If devices are provided for the connection of dust extraction and collection facilities, ensure these are connected and properly used.** Use of dust collection can reduce dust-related hazards.
- **Do not let familiarity gained from frequent use of tools allow you to become complacent and ignore tool safety principles.** A careless action can cause severe injury within a fraction of a second.

Product use and care

- **Do not force the product. Use the correct product for your application.** The correct product will do the

job better and safer at the rate for which it was designed.

- **Do not use the product if the switch does not turn it on and off.** Any product that cannot be controlled with the switch is dangerous and must be repaired.
- **Disconnect the plug from the power source and/or remove the battery pack, if detachable, from the product before making any adjustments, changing accessories, or storing the product.** Such preventive safety measures reduce the risk of starting the product accidentally.
- **Store idle the product out of the reach of children and do not allow persons unfamiliar with the product or these instructions to operate the product.** The product is dangerous in the hands of untrained users.
- **Maintain the product and accessories. Check for misalignment or binding of moving parts, breakage of parts and any other condition that may affect the power tool's operation. If damaged, have the product repaired before use.** Many accidents are caused by poorly maintained power tools.
- **Keep cutting tools sharp and clean.** Properly maintained cutting tools with sharp cutting edges are less likely to bind and are easier to control.
- **Use the product, accessories and tool bits etc. in accordance with these instructions, taking into account the working conditions and the work to be performed.** Use of the product for operations different from those intended could result in a hazardous situation.
- **Keep handles and grasping surfaces dry, clean and free from oil and grease.** Slippery handles and grasping surfaces do not allow for safe handling and control of the tool in unexpected situations.

Battery tool use and care

- **Recharge only with the charger specified by the manufacturer.** A charger that is suitable for one type of battery pack may create a risk of fire when used with another battery pack.
- **Use products only with specifically designated battery packs.** Use of any other battery packs may create a risk of injury and fire.
- **When battery pack is not in use, keep it away from other metal objects, like paper clips, coins, keys, nails, screws or other small metal objects, that can make a connection from one terminal to another.** Shorting the battery terminals together may cause burns or a fire.
- **Under abusive conditions, liquid may be ejected from the battery; avoid contact. If contact accidentally occurs, flush with water. If liquid contacts eyes, additionally seek medical help.** Liquid ejected from the battery may cause irritations or burns.
- **Do not use a battery pack or tool that is damaged or modified.** Damaged or modified batteries may exhibit unpredictable behavior resulting in fire, explosion or risk of injury.

- **Do not expose a battery pack or tool to fire or excessive temperature.** Exposure to fire or temperature above 130 °C / 265 °F may cause explosion.
- **Follow all charging instructions and do not charge the battery pack or tool outside the temperature range specified in the instructions.** Charging improperly or at temperatures outside the specified range may damage the battery and increase the risk of fire.

Service

- Let only approved service center do servicing with approved replacement parts. This will keep the product safe.
- Do not do servicing or open battery packs. Only approved service center must do servicing of battery packs.
- Refer to *Maintenance schedule on page 18* for more information.

Safety instructions for assembly



WARNING: Read the warning instructions that follow before you assemble the product.

- Unauthorized modifications and/or accessories may lead to serious injury or death to the user or others.
- Use only attachments as described in this manual. Use only manufacturers recommended attachments.
- Make sure that the assembly area is firm, so the product does not tip over. Risk of personal and material injury.
- Be careful, the toggle fasteners can cause damage to the operator when assembling the product.

Safety instructions for operation



WARNING: Read the warning instructions that follow before you use the product.

- If the product does not operate correctly, hits the ground, is damaged, left outdoors or falls into water, stop the product. Let an approved service agent repair the product.
- Make sure that the motor and all controls are off before you disconnect the battery pack.
- Disconnect the battery from the product, when the product is not used, before you do servicing or before you go away from the product.
- Do not operate the product unless you can get aid if an accident occurs.
- Know the controls and the correct operation of the product before use.
- Do not operate the product at temperatures below -10°C.

- Do not operate the product where there is a risk of explosion or in areas where there is flammable liquids or materials.
- Do not put objects into openings.
- Do not operate if an opening is blocked. Remove dust, lint, hair or other material that can decrease the air flow.
- Do not operate the product with wet hands.
- Keep hair, loose clothing and all body parts away from openings and moving parts.
- Operate the product very carefully on stairs to prevent damage and injury if the product falls.
- Always lock the transport wheels if you do work on an rough surface.
- Look out for persons, objects and situations that can prevent safe operation of the product.
- Make sure that you always can stop the motor quickly in an emergency.
- If the product does not operate correctly, stop the product.
- Do not operate the product without a Longopac and the filters installed. Replace the Longopac bag and the filters as given in this manual.
- Always remove the battery pack before you go away from the product.
- If the product has unusual vibration or noise level, stop the product immediately and remove the battery pack. Examine the product for damages. Unusual vibration is usually a warning of damage. Repair the damages or let an approved service agent do the repair.
- Always use approved accessories. Speak to your Husqvarna representative for more information.

Personal protective equipment



WARNING: Read the warning instructions that follow before you use the product.

- Always use approved personal protective equipment when you operate the product. Personal protective equipment cannot fully prevent injury but it decreases the degree of injury if an accident does occur. Let your dealer help you select the correct personal protective equipment.
- Regularly do a check of the condition of the personal protective equipment.
- Use an approved protective helmet.
- Use approved hearing protection.
- Use approved respiratory protection with class P2 or higher.
- Use approved eye protection.
- Use protective gloves.
- Use protective shoes.

Safety instructions for maintenance



WARNING: Read the warning instructions that follow before you do maintenance on the product.

- Remove the battery before you do maintenance, other checks or assemble the product.
- The operator must only do the maintenance and servicing shown in this operator's manual. Turn to your servicing dealer for maintenance and servicing of a larger extension.
- Do not clean the battery or the battery charger with water. Strong detergent can cause damage to the plastic.
- If you do not do maintenance, it decreases the life cycle of the product and increases the risk of accidents.
- Special training is necessary for all servicing and repair work, especially for the safety devices on the product. If not all checks in this operator's manual are approved after you have done maintenance, turn to your servicing dealer. We guarantee that there are professional repairs and servicing available for your product.
- Only use original spare parts.

Safety devices on the product



WARNING: Read the warning instructions that follow before you use the product.

- Never use a product that has faulty safety equipment! If your product fails any checks contact your service agent to get it repaired.
- Do not use the product if protective plates, protective covers, safety switches or other protective devices are not attached or are defective.

Always use common sense



WARNING: Under no circumstances should you modify the original design of the product without approval from the manufacturer. Always use original spare parts. Unauthorized modifications and/or accessories may lead to serious injury or death to the user or others.



WARNING: The use of products such as cutters, grinders, drills, that sand or form material can generate dust and vapours which may contain hazardous chemicals. Check the nature of the material you intend to process and use an appropriate breathing mask.

It is not possible to cover every conceivable situation you can face when using the product. Always exercise care and use your common sense. Avoid all situations which you consider to be beyond your capability. If you still feel uncertain about operating procedures after reading these instructions, you should consult an expert before continuing.

Do not hesitate to contact your Husqvarna representative if you have any more questions about the use of the product. We will willingly be of service and provide you with advice as well as help you to use your product both efficiently and safely.

Let your Husqvarna dealer check the product regularly and make essential adjustments and repairs.

Husqvarna AB has a policy of continuous product development. Husqvarna reserves the right to modify the design and appearance of products without prior notice and without further obligation introduce design modifications.

All information and all data in the operator's manual were applicable at the time the operator's manual was sent to print.

Bluetooth®



CAUTION: Changes or modifications made to this equipment not expressly approved by Husqvarna may void the FCC authorization to operate this equipment.

Notice: This device complies with Part 15 of FCC Rules and with Industry Canada licence-exempt RSS standard. Operation is subject to the following two conditions:

- This device may not cause harmful interference
- This device must accept any interference received, including interference that cause undesired operation.

Note: This equipment has been tested and found to comply with the limits for a Class B digital device, pursuant to part 15 of the FCC Rules. These limits are designed to provide reasonable protection against harmful interference in a residential installation. This equipment generates, uses and can radiate radio frequency energy and, if not installed and used in accordance with the instructions, may cause harmful interference to radio communications. However, there is no guarantee that interference will not occur in a particular installation. If this equipment does cause harmful interference to radio or television reception, which can be determined by turning the equipment off and on, the user is encouraged to try to correct the interference by one or more of the following measures:

- Reorient or relocate the receiving antenna.
- Increase the separation between the equipment and receiver.

- Connect the equipment into an outlet on a circuit different from that to which the receiver is connected.
- Consult the dealer or an experienced radio/TV technician for help.

Le présent appareil est conforme aux CNR d'Industrie Canada applicables aux appareils radio exempts de licence. L'exploitation est autorisée aux deux conditions suivantes:

- l'appareil ne doit pas produire de brouillage, et
- l'appareil doit accepter tout brouillage radioélectrique subi, même si le brouillage est susceptible d'en compromettre le fonctionnement.

Suppliers Declaration of Conformity for Husqvarna DE 110i H, DE 120 H PACE

47 CFR § 2.1077 Compliance Information

Responsible Party

Husqvarna Construction Products North America, Inc.

17400 W 119th Street

Olathe, Kansas 66061

USA

U.S. Contact Information: Neil Stanford, Compliance Manager, Telephone number: 913-928-1000

Operation

To do before you operate the product

Note: The operation conditions are 800 m/2625 ft maximum altitude, temperature between -10°C/14°F to +40°C/104°F and humidity 85%.

Note: Read the operator's manual of the attached equipment carefully. If specified requirements or settings are given for the dust extractor, make sure that you obey these.

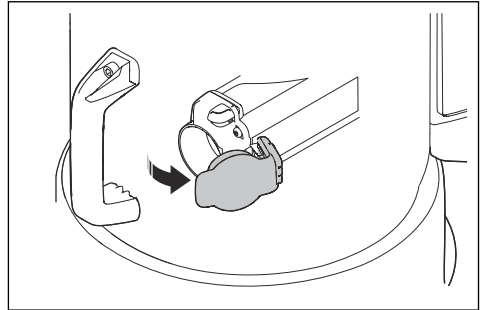
1. Read the operator's manual carefully and make sure that you understand the instructions.
2. Do the daily maintenance. Refer to *Maintenance schedule on page 18*.
3. Make sure that the work area is clean and bright.
4. Use personal protective equipment. Refer to *Personal protective equipment on page 9*.
5. Make sure that the product is installed correctly.
6. Make sure that the battery is fully charged.

To attach the dust extraction hose

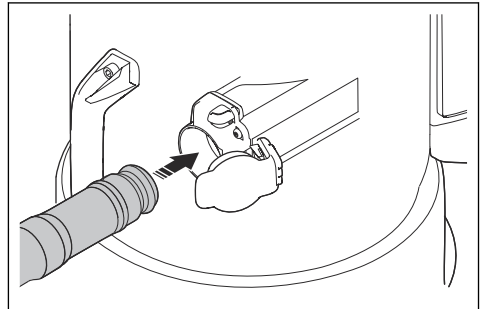


WARNING: Use an antistatic hose to prevent antistatic effects.

1. Open the hose connector.



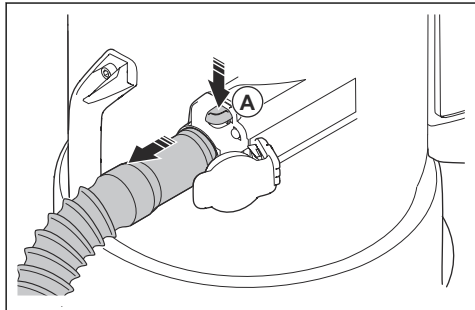
2. Put the hose adapter in the hose connector.



3. Push the hose adapter until you hear a click to get it in correct position.

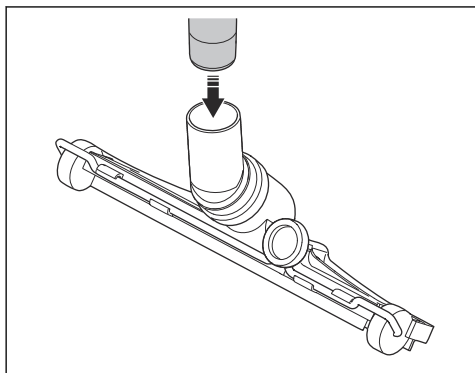
To remove the dust extraction hose

- Push the hose lock button (A) and pull the dust extraction hose.

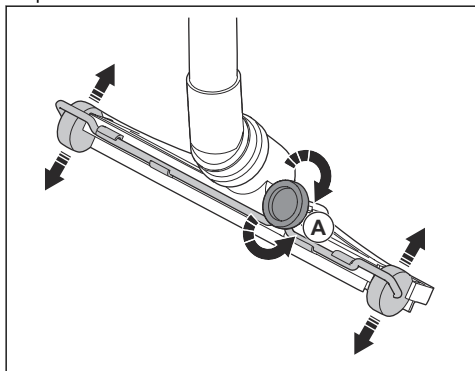


To attach and adjust the floor nozzle

1. Put the end of the handle fully into the shaft of the floor nozzle.



2. Turn the knob (A) at the rear of the floor nozzle to adjust the floor nozzle wheels. Different surfaces and different types of dust and materials make it necessary to adjust the wheels to get the best performance.



Bluetooth® wireless technology

Products with built-in Bluetooth® wireless technology can connect to mobile devices and enables additional functions from Husqvarna Connect.

The symbol for *Bluetooth®* wireless technology comes on when your mobile device is connected to the product.



To use embedded connectivity with fleet

Note: This part is applicable only for products supplied with embedded connectivity.

Note: Radio transmission by the Bluetooth® function will be enabled on the first time of connection to a power outlet, and stay on after that.

1. Download the Husqvarna Fleet Services iOS or Android app Husqvarna Fleet Services.
2. Go to Husqvarna Fleet Services website <https://fleetservices.husqvarna.com> for more information.

To connect the battery charger

1. Connect the battery charger to the voltage and frequency that is specified on the rating plate.
2. Put the plug in a grounded socket outlet. The LED on the battery charger flashes green one time.

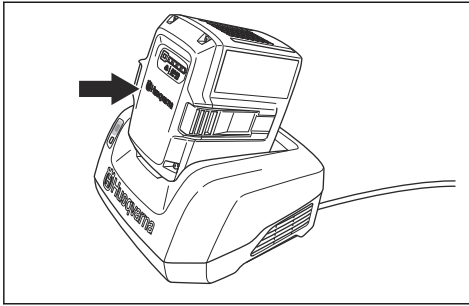
Note: The battery does not charge if the battery temperature is more than 50 °C/122 °F. If the temperature is more than 50 °C/122 °F, the battery charger makes the battery become cool before the battery charges.

To connect the battery to the battery charger

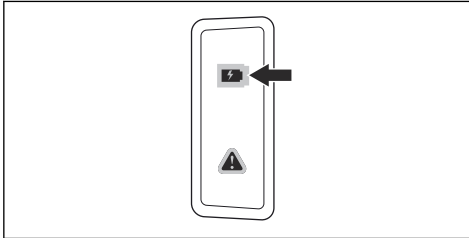
Note: Charge the battery if it is the first time that you use it. A new battery is only 30% charged.

1. Make sure that the battery is dry.

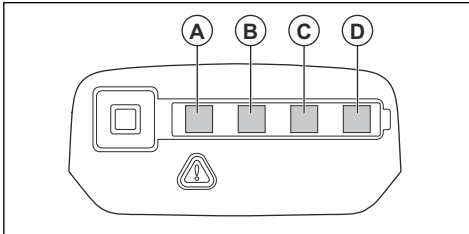
- Put the battery in the battery charger.



- Make sure that the green charging light on the battery charger comes on. That means that the battery is connected correctly to the battery charger.



- When all LEDs on the battery come on, the battery is fully charged.



- To disconnect the battery charger from the mains socket, pull the plug. Do not pull the cable.
- Remove the battery from the battery charger.

Note: Refer to the battery and battery charger manuals for more information.

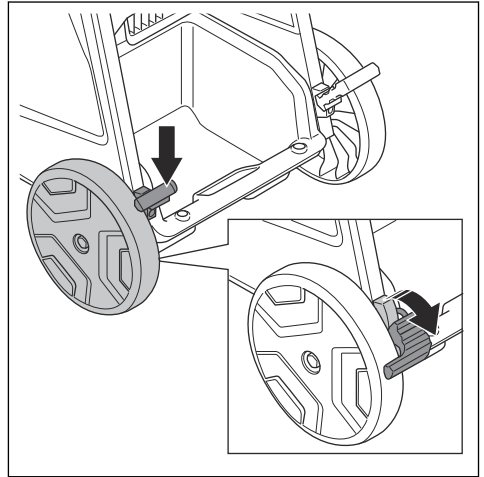
To lock and unlock the transport wheels

For operation on a surface with a slope it is necessary to lock the transport wheels.



WARNING: Wheels and bearings must be clean and without dust for safe operations. Refer to *Maintenance schedule* on page 18.

- Hold the product in a stationary and safe position.
- Push down the wheel brake on each side to lock the wheels.

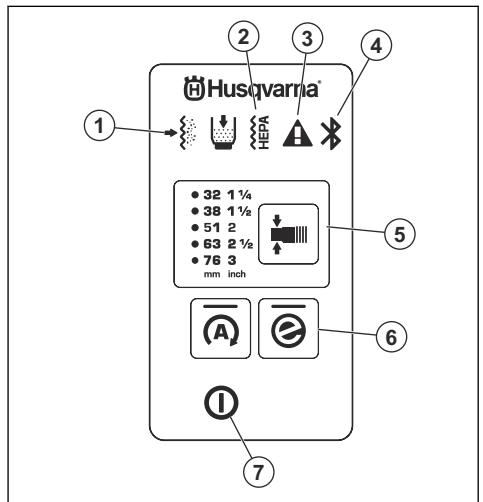


Note: DE110i H has only 1 wheel brake.

- Pull up the wheel brakes to unlock the wheels.

Functions of the control panel

The control panel controls and monitors important functions and setups of the product. Refer to *Warnings on the control panel* on page 23 to find solutions for the warnings.



- The prefilter is clogged. Refer to *To remove dust particles from the prefilter* during operation on page 16.

2. The HEPA filter is clogged, damaged or missing. Refer to *Warnings on the control panel on page 23*.
3. Warning. Refer to *Warnings on the control panel on page 23*.
4. Bluetooth® connection. Refer to *To use embedded connectivity with fleet on page 12*.
5. Diameter change function for hose, refer to *To select the hose nozzle diameter on page 14*
6. e-Flow button, refer to *e-Flow function on page 14*
7. On/Off button

e-Flow function





The product has an e-Flow function. This function automatically adjusts the airflow to the workload for optimal performance. The product always starts with the last settings used.

Refer to *Functions of the control panel on page 13* to engage or disengage the function.

Airflow warning system

The airflow in the suction hose must be more than 20 m/s (66 ft/s).

For the minimum airflow with the selected hose diameter refer to the table.

DE 110i H		DE 120 H PACE	
 max. Ø	 min	 max. Ø	 min
in.(mm)	CFM (m ³ /h)	in.(mm)	CFM (m ³ /h)
1 (27)	24 (41)	1 ½ (38)	48 (82)
1 ¼ (32)	34 (58)	1 ⅝ (42)	59 (100)
1 ½ (38)	48 (82)	2 (51)	87 (147)
1 ⅝ (42)	59 (100)	2 1/2 (63)	132 (224)
2 (51)	87 (147)	3 (76)	192 (327)

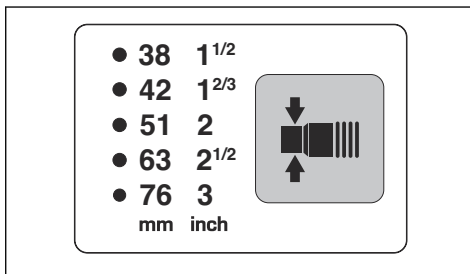
Note: If the airflow is less than 20 m/s (66 ft/s), the sound alarm and the warning symbol comes on. Refer to *Warnings on the control panel on page 23*.

To select the hose nozzle diameter

Note: If you do not select the correct hose diameter, the airflow warning system will come on.

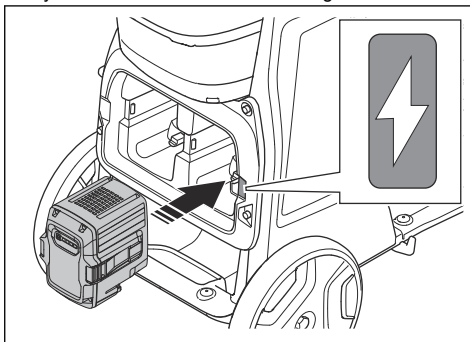
When you start the product, the last selected hose diameter is automatically selected.

- Push the button to select the correct hose diameter. The green LED tells which diameter you have selected.



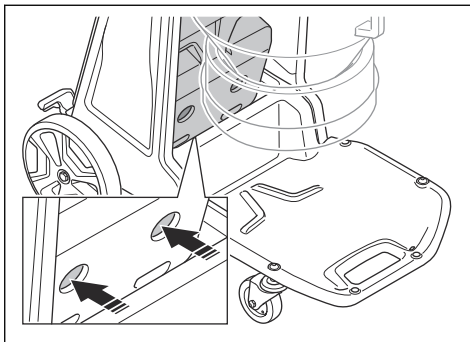
To install and remove the battery

1. Put the battery in the battery holder. The electricity symbol shows which holder is energized.

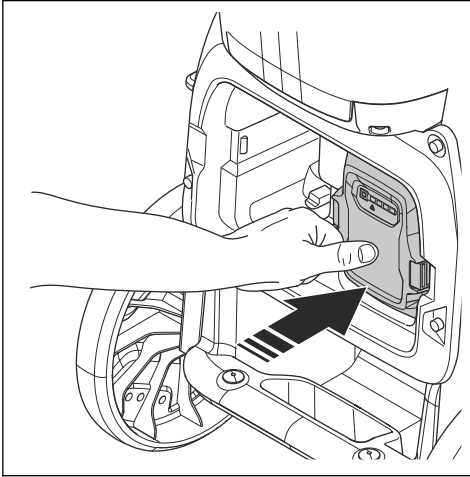


CAUTION: Make sure that the battery is installed correctly into the battery holder. If the battery does not move easily into the battery holder, the position is not correct.

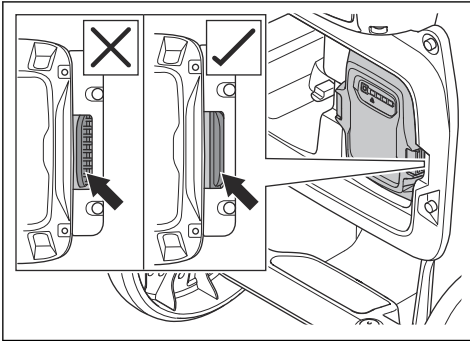
2. Remove a blocked battery by pushing through the access holes.



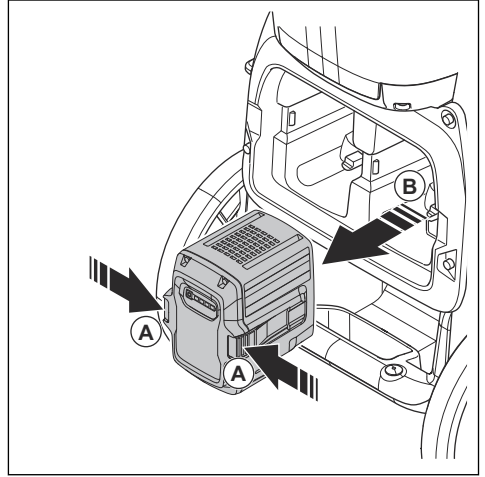
3. Push on the lower part of the battery until you hear a click.



4. Examine the battery lock indicator for correct battery installation. This only applies for DE 120 H PACE.



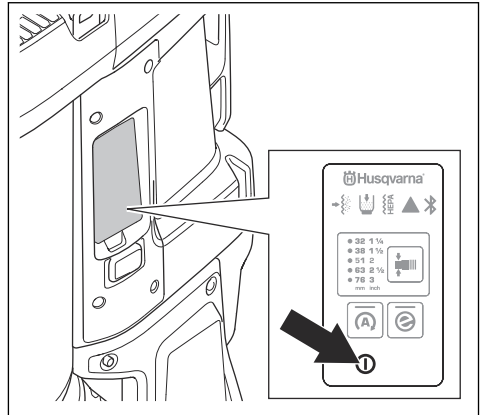
5. Push the battery release buttons (A) and remove the battery (B) from the battery holder to prevent accidental start.



To start and stop

Note: The suction is not at full capacity directly at start, the suction operates fully after 5 seconds.

1. Install the battery. Refer to *To install and remove the battery on page 14*.
2. Push the On/Off button to start the product.



3. Select correct hose diameter. Refer to *To select the hose nozzle diameter on page 14*.
4. To stop the product, push and hold the On/Off button until the green LED light goes off.
5. Remove the battery from the battery holder. Refer to *To install and remove the battery on page 14*.

Hour meter

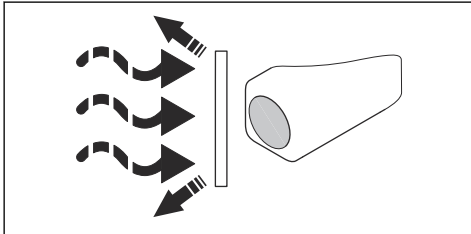
The hour meter shows the total operation time of the product in hours.

To remove dust particles from the prefilter during operation

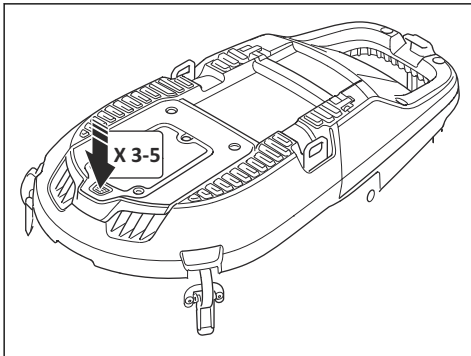
The filter purge procedure cleans the prefilter from unwanted material. Do the procedure in these situations:

- Before a work stop or at the end of each work day. If the product is off for a while, it gives the dust more time to fall down. This makes the filter purge procedure more powerful.
- When the suction is not sufficient.
- Before installation of a new Longopac bag.
- When the prefilter clogged alarm goes off.

1. Stop the product and let the dust fall down into the Longopac bag.
2. Start the product. Refer to *To start and stop on page 15*.
3. Close the air flow that moves through the air intake with the air intake plug or the intake valve to make vacuum.



4. Wait 5 seconds until vacuum is made, then push the filter purge button. Do this step 3 to 5 times. It is important to let the product make vacuum between each button push.



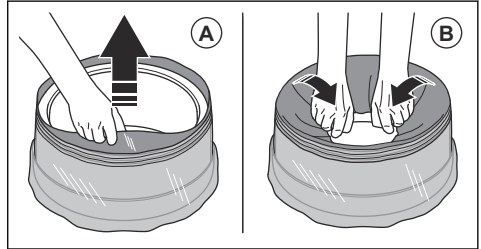
If the suction is not sufficient after this procedure, it is necessary to clean the prefilter with water. Refer to *To clean the prefilter with water on page 20*.

To install a new Longopac bag cassette

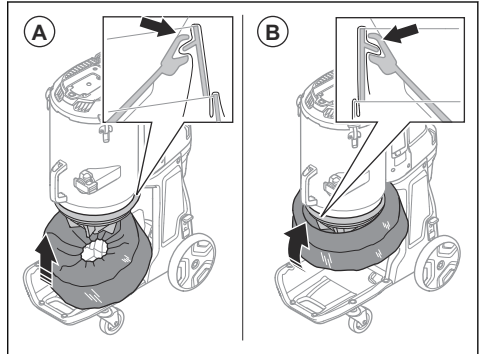


CAUTION: Clean the prefilter before you install a new Longopac cassette. Refer to *To clean the prefilter with water on page 20*.

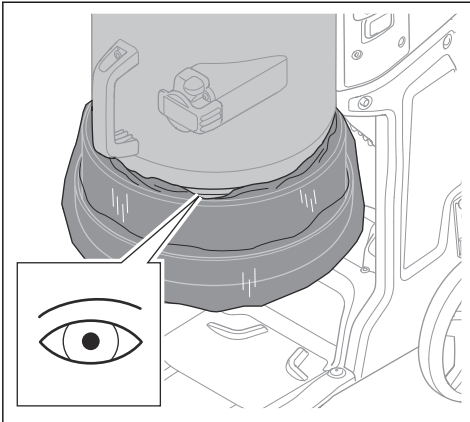
1. Put the Longopac cassette around the inner edge of the Longopac holder.
2. Remove the 4 straps after you put the Longopac in the holder.
3. Pull the inner layer of the Longopac cassette up (A) and fold it into the holder (B).



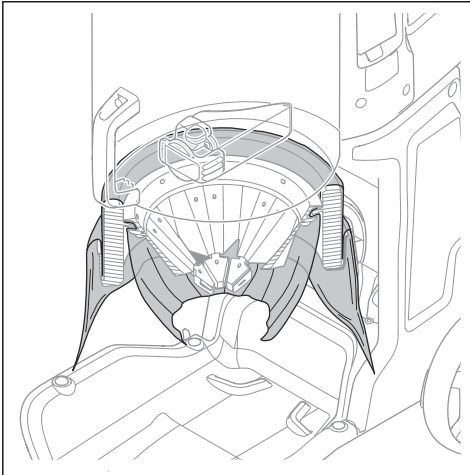
4. Attach the Longopac holder to the rear part of the container (A). Then attach the Longopac holder to the sides and to the front of the container (B). Push the Longopac holder up until you hear a solid click.



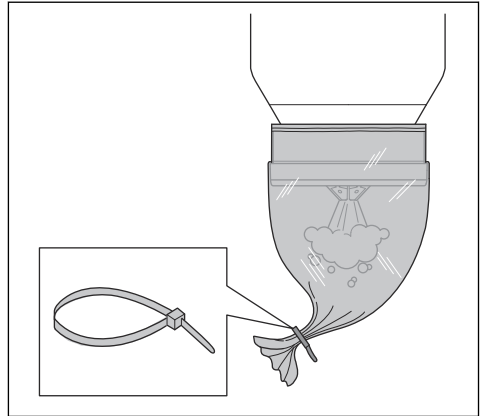
5. Make sure that the Longopac is sealed.



6. Pull the outer layer of the Longopac cassette down.



7. Close the bottom of the Longopac with a cable tie.

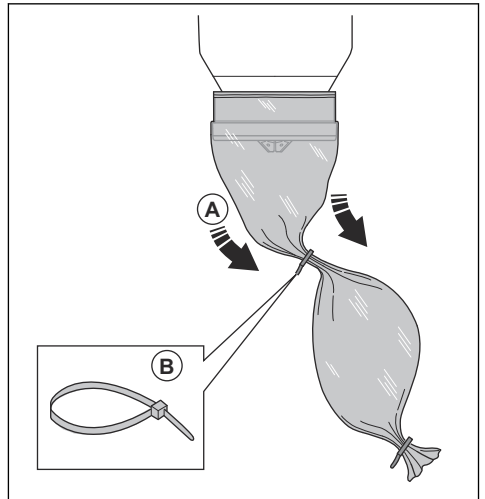


To discard a full Longopac bag and prepare a new Longopac bag



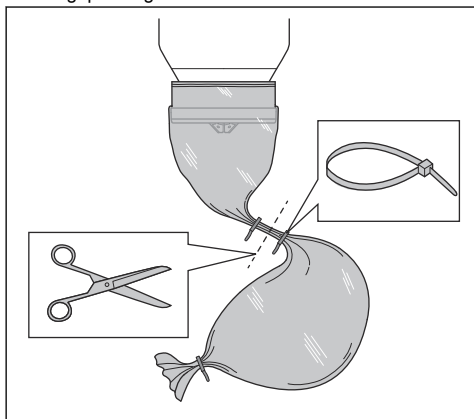
WARNING: Lift the Longopac bag with caution, a full Longopac bag can be heavy. Make sure that the cable ties are closed correctly before you lift the Longopac bag.

1. Pull out the Longopac bag (A) and attach a cable tie (B) to close the new Longopac bag.



2. Shake down the dust in the used Longopac bag.

- Attach a cable tie 10 cm/3.9 in. below the first cable tie to close the used Longopac bag. Cut off the Longopac bag between the cable ties.



- If the remaining part of the Longopac bag cassette is too small to prepare a new Longopac bag, install a new Longopac bag cassette. Refer to *To install a new Longopac bag cassette on page 16*.
- Obey local regulations for disposal of the full Longopac bag.

To do after completed work

- Do the filter purge procedure. Refer to *To remove dust particles from the prefilter during operation on page 16*.
- Stop the product, refer to *To start and stop on page 15*.
- Discard the Longopac bag. Refer to *To discard a full Longopac bag and prepare a new Longopac bag on page 17*.
- Clean the product. Refer to *To clean the product on page 20*.
- Prepare the product for transportation. Refer to *To move the product long distances on page 25*.

Maintenance

Introduction



WARNING: Read and understand the safety chapter before you do maintenance work on the product.



WARNING: Remove the battery before you do maintenance on the product.



WARNING: Failure to do maintenance correctly can decrease the product life cycle and increase the risk of accidents.

All servicing and/or repair work must also be done by a professional. Turn to your servicing dealer for more information.



WARNING: Make sure that you obey all local regulations to dispose the dangerous dust correctly, before and during maintenance.

Maintenance schedule

The maintenance intervals are calculated from daily use of the product. The intervals change if the product is not used daily.

Maintenance	Before each use	Daily	Weekly	When suction is low	Each 12 months or 600 h	Each 24 months or 2000 h
Do the filter purge procedure. Refer to <i>To remove dust particles from the prefilter during operation on page 16</i> .	X					
Look for signs of wear or damage of the dust release rubber cone.	X					
Look for signs of wear, damage or loose connections of the controls before the unit is connected.	X					
Do a check of the hose and the hose connectors.	X					
Look for signs of wear or damage of the plastic parts.	X					

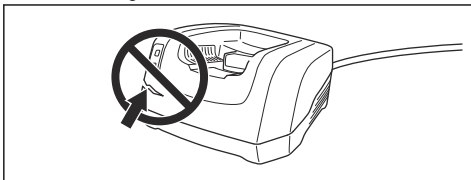
Maintenance	Before each use	Daily	Weekly	When suction is low	Each 12 months or 600 h	Each 24 months or 2000 h
Do a check of the lifting eyes.	X					
Make sure that the Longopac is correct and that it is correctly attached. Refer to <i>To install a new Longopac bag cassette on page 16.</i>		X				
Do a check of the filter purge function.		X				
Do a check of the wheels. Look for damage and bad connections.			X			
Do a check of the filter seals			X			
Do the filter purge procedure. If the suction continues to be not sufficient, clean the prefilter with water. Refer to <i>To clean the prefilter with water on page 20.</i>				X		
Replace the cleaned prefilter if the suction continues to be not sufficient. Refer to <i>To replace the prefilter on page 21.</i>				X		X
Replace the HEPA filter.				X	X	
Replace the dust release rubber cone.						X
Replace filter cleaning rubber parts.						X

To do a check of the control panel

1. Push and hold the On/Off button until the green LED comes on. Refer to *Functions of the control panel on page 13.*
2. Push and hold the On/Off button until the green LED goes off.

To do a check of the battery charger

1. Make sure that the battery charger and the power supply cord is not damaged. Look for cracks and other damages.

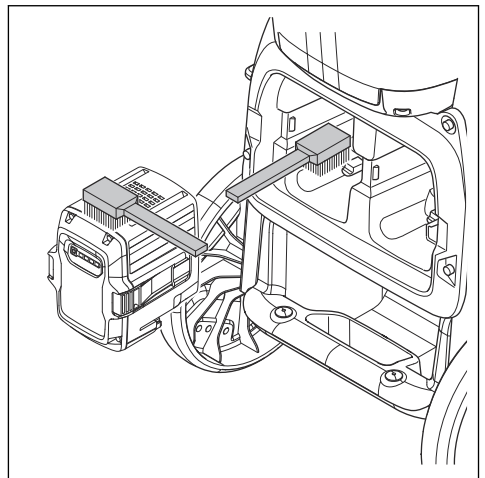


To do a check of the battery and the battery holder



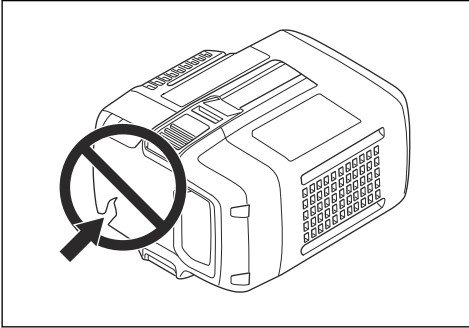
CAUTION: Do not clean the battery or the battery charger with water.

1. Clean the battery and the battery holder with a soft brush.



2. Clean the cooling slots and battery connectors.

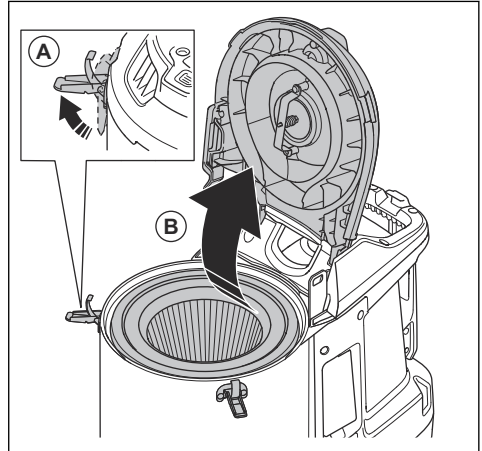
3. Make sure that the battery is not damaged and there are no other defects, such as cracks.



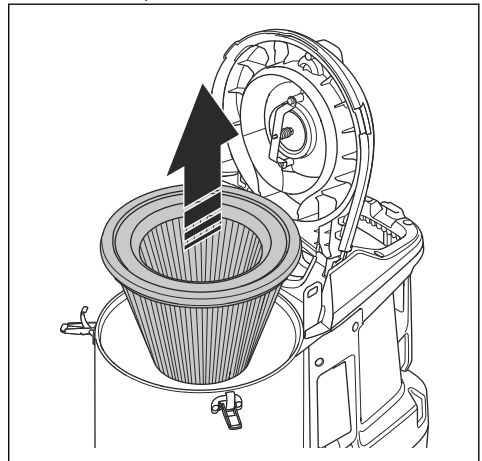
CAUTION: Do not let it dry in full sunlight. The seals will dry out.

Note: To clean the with water will gradually decrease the efficiency of the filter.

1. Loosen the cover locks (A) and open the prefilter cover (B).



2. Remove the prefilter.



To clean the product

Operation can cause contamination on all parts of the product and all used equipment. Thus it is necessary to clean all parts of the product and all used equipment fully and carefully.



WARNING: Disconnect the product from the power supply.



WARNING: Clean the product before it is moved from the work area. Remaining dust on the product can go into the air and cause a health risk.

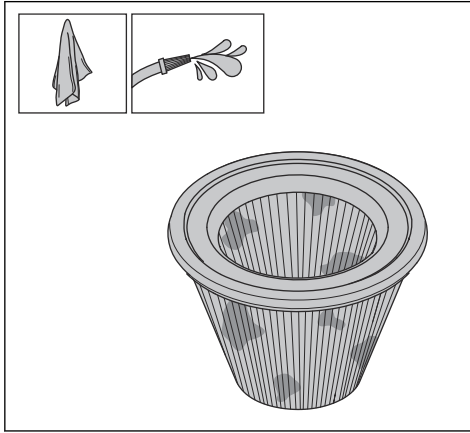
- Use personal protective equipment. Refer to *Personal protective equipment* on page 9.
- Do not clean the product with a high-pressure washer or compressed air.
- Clean the external surface with a moist cloth.
- Do not use water on electrical components.
- Clean the filters as given in *To clean the prefilter with water* on page 20 and *To replace the HEPA filter* on page 21.
- After servicing, put discarded parts in plastic bags. Refer to local regulations for the correct procedure.
- If you use water to clean the product, remove the prefilter and the Longopac before you clean. Also make sure that no water goes into the HEPA filter.

To clean the prefilter with water



CAUTION: Do not use a high-pressure washer or compressed air to clean the prefilter. Do not hit the prefilter with force to clean it.

3. Clean the prefilter with running water from the inner surface of the prefilter.



CAUTION: The water pressure must not be higher than 4 bars.



CAUTION: Do not hit or drag items across the filter surface as this will do damage to the filter.

4. Let the prefilter dry fully.



CAUTION: The prefilter must be 100% dry before you install it into the housing.

5. Install the prefilter, close the prefilter cover and tighten the cover locks.

If the prefilter cannot be fully cleaned or if it is damaged, it must be replaced. Refer to *To replace the prefilter on page 21*.

Filter replacement



WARNING: Use personal protective equipment. Refer to *Personal protective equipment on page 9*. Dangerous dust can release into the air during filter replacement.



WARNING: Stop the product and disconnect the power supply before filter replacement.

To replace the prefilter

1. Remove the prefilter. Refer to *To clean the prefilter with water on page 20*.
2. Put the prefilter carefully in a plastic bag.

3. Discard the plastic bag correctly. Refer to local regulations.
4. Install the new prefilter.

If the suction is not sufficient when a new prefilter is installed, it is necessary to replace the HEPA filter. Refer to *To replace the HEPA filter on page 21*.

To replace the HEPA filter

The HEPA filter cannot be cleaned. It is always necessary to replace it with a new HEPA filter. Only use Husqvarna HEPA filters.



WARNING: Only an approved service center or an approved authority is permitted to replace the HEPA filter.



WARNING: Always use personal protective equipment, refer to *Personal protective equipment on page 9*.



WARNING: The particles in the HEPA filter are dangerous to your health.



WARNING: Make sure that there are no holes in the HEPA filter. A damaged HEPA filter is a health risk.

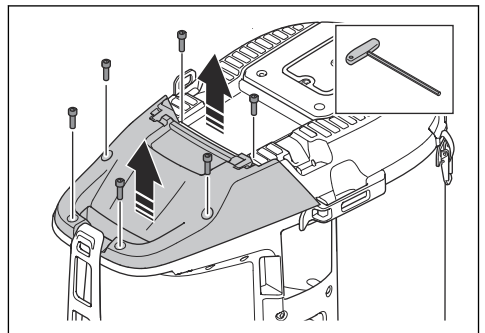


WARNING: Do not install a used HEPA filter. If you install a used HEPA filter, leakage and decreased filtration efficiency can occur.

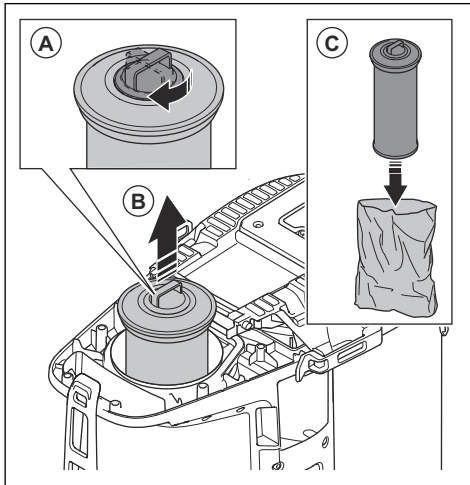


CAUTION: Do not touch the inner surface of the HEPA filter. This can cause damage to the HEPA filter.

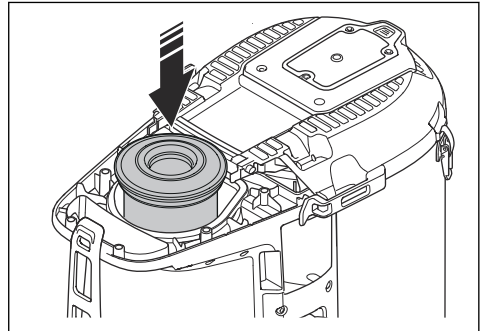
1. Loosen the 6 screws and remove the HEPA filter cover.



- Attach the dust cap (A) and pull out the HEPA filter. Put it into a clean plastic bag (C).



- Discard the plastic bag correctly. Refer to local regulations.
- Install a new HEPA filter. Make sure that the HEPA filter is pushed to the end position.



- Install the HEPA filter cover and tighten the 6 screws.

Troubleshooting

Troubleshooting schedule

Problem	Cause	Solution
The motor stops immediately after start or does not start.	There is no power.	Connect the battery to the product.
	There is a fault with the battery.	Do a check of the battery or replace the battery if necessary. Let an approved service agent repair the product.
	The green LED flashes on the battery.	Low battery voltage. Charge the battery.
	The HEPA filter is damaged or not installed.	Replace or install the HEPA filter.
	There is a short circuit in the product.	Let an approved service agent repair the product.
	Too high voltage in power supply.	Make sure that correct power supply is used.
	Too high ambient temperature.	Make sure that the ambient temperature is in specified range when you use the product.
Fan is broken or disconnected.	Let an approved service agent repair the product.	

Problem	Cause	Solution
The motor is on but there is no suction.	The dust extraction hose is not connected correctly.	Connect the dust extraction hose.
	The dust extraction hose is blocked.	Clean the dust extraction hose.
	There is no Longopac.	Install a Longopac cassette.
	The Longopac is not closed down with a cable tie.	Attach a cable tie.
The suction is not sufficient.	Too low voltage in power supply.	Make sure that correct power supply is used.
	There is a hole in the dust extraction hose.	Replace the dust extraction hose.
	The prefilter is clogged.	Remove dust particles from the prefilter. Clean or replace it if it is necessary.
	The HEPA filter is clogged.	Replace the HEPA filter. Refer to <i>To replace the HEPA filter on page 21</i> .
	The top cover is loose.	Close the top cover fully.
	The seals are broken	Replace the seals.
Dust releases into the air from the motor.	The filters are incorrectly installed or damaged.	Install the filters correctly. Replace damaged filters.
Unusual noise comes from the product.	N/A	Let an approved service agent repair the product.



Warnings on the control panel



CAUTION: Do not operate the product if the red light comes on. If the initial solution does not remove the error, speak with an

approved service agent before you operate the product again.

Symbol	Signal	Cause	Solution
	Buzzer signal and the red light comes on.	The prefilter is clogged.	Do a filter purge procedure, refer to <i>To remove dust particles from the prefilter during operation on page 16</i> .
		Incorrect hose is connected or selected in the control panel.	Attach correct hose or select the correct hose dimension on the control panel, refer to <i>To select the hose nozzle diameter on page 14</i> .
		The hose is damaged or compressed.	Replace the hose.
		The hose is clogged.	Clear the hose.
	The red light flashes.	The main vacuum hose is disconnected.	Let an approved service agent repair the product.
	Red light comes on.	The HEPA filter is missing, full or damaged.	Do a check of the HEPA filter, replace if necessary. Refer to <i>To replace the HEPA filter on page 21</i> .

Symbol	Signal	Cause	Solution
	Red light flashes.	Battery error.	Let an approved service agent repair the product.
	Red light comes on.	Wire communication not detected.	Let an approved service agent repair the product.
		The control unit is damaged.	Let an approved service agent repair the product.
		Wrong battery is used.	Use correct battery.
		Warning.	Look at the operation record of your Husqvarna fleet app or speak to an approved service agent.
	Yellow light comes on.	The HEPA filter is almost full.	Replace the HEPA filter if necessary.
	Red light comes on.	The HEPA filter is full.	Replace the HEPA filter.

Error codes

Error code	Error	Description	Probable cause(s)	Action(s)
2	HEPA filter missing.	Product shuts down/does not start. + Warning light on HMI. + HEPA symbol on HMI.	HEPA filter is missing or damaged.	Assemble or replace the HEPA filter.
3	Low supply voltage.	Low performance (low air flow/vacuum).	Too low voltage in grid/power supply.	Make sure correct grid/power supply is used.
4	High supply voltage.	Product shuts down/does not start. + Warning diode light on HMI.	Too high voltage in grid/power supply.	Make sure correct grid/power supply is used.
			Wrong battery used.	Use correct battery.
5	Main Pressure Sensor Error.	Prefilter light flashes red.	Vacuum hose is disconnected or blocked.	Speak to an approved service agent.
			Control unit is damaged.	
6	PCBA temperature too high.	Product shuts down/ does not start. + Warning diode light on HMI.	Too high ambient temperature.	Do not use the product outside specified temperature range.
7	Fan malfunction.	Product shuts down/ does not start. + Warning diode light on HMI.	Fan is damaged or disconnected.	Speak to an approved service agent.
			Control unit is damaged.	

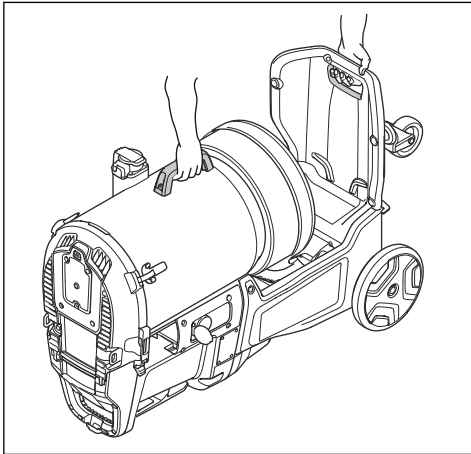
Error code	Error	Description	Probable cause(s)	Action(s)
9	One wire communication not detected.	Product shuts down/ does not start. + Warning diode light on HMI.	Cable disconnected or damaged.	Speak to an approved service agent.

Transportation, storage and disposal

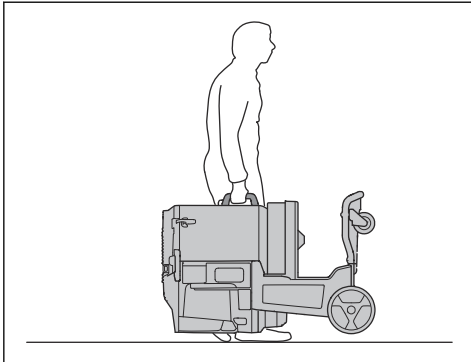
To move the product short distances

Make sure that the intake valve is closed. Make sure that the dust caps are on the hoses.

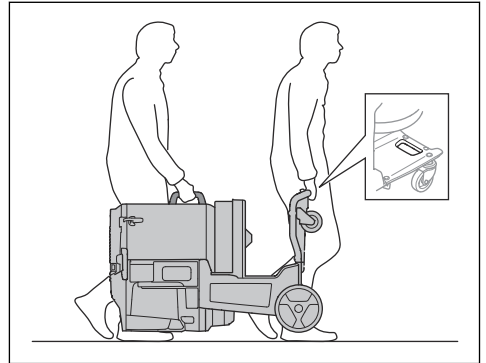
1. Put the product down on the ground.



2. Lift the product manually.



3. If 2 persons lift the product, make sure to use the 2 lifting points.



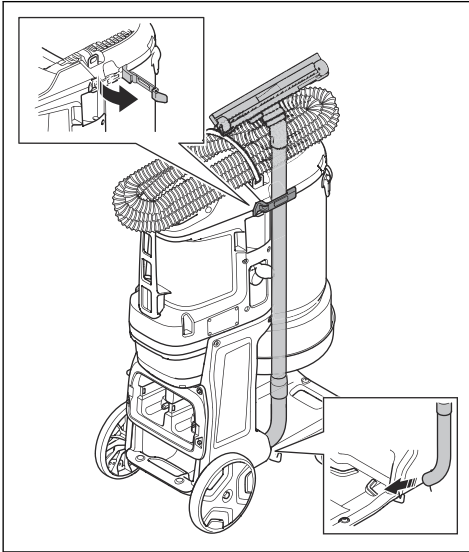
To move the product long distances

Make sure to use a closed vehicle during transportation of the product.

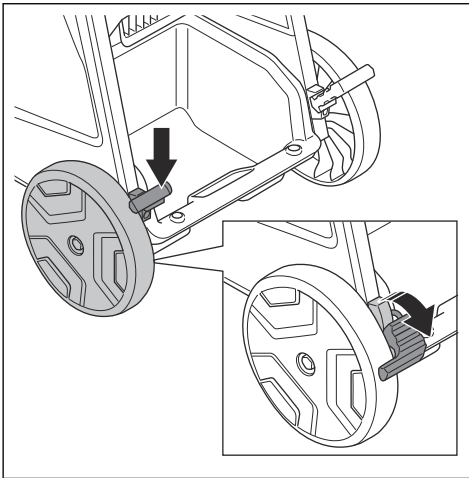
Make sure that the intake valve is closed. Make sure that the dust caps are on the hoses.

1. Make sure that the Longopac is installed on the product.
2. Make sure that the Longopac bag is empty.

3. Attach the power cord, the dust extraction hose and the handle pipe tightly to the product.

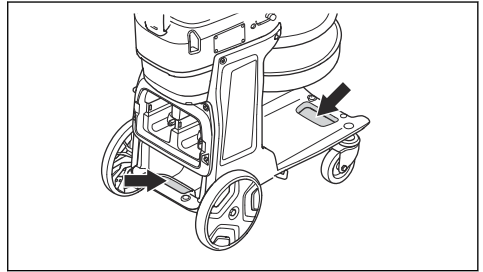


4. Lock the transport wheels.



5. Lift the product, refer to *To lift the product on page 26*.

6. Attach the product safely to the transportation vehicle to prevent damage and accidents. Use the tie-down points.



To lift the product



WARNING: Make sure that the lifting equipment and the lifting straps have the correct specification to lift the product safely. The type plate on the product shows the product weight, refer to *Type plate on page 5*.



WARNING: Get aid if you are not sure about how to lift heavy equipment.



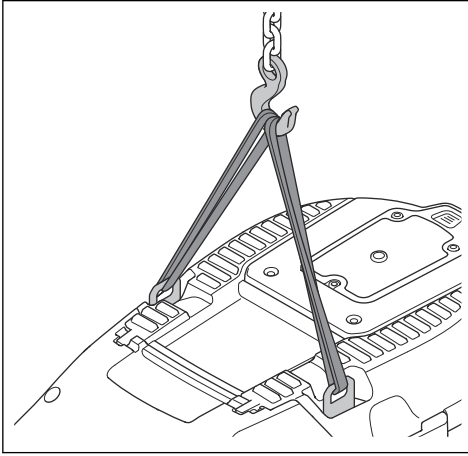
WARNING: Do not lift the product with dust in the tank or in the bag. Do not lift the product with added weight in or on the product.



WARNING: Do not lift the product with batteries installed.

1. Do the filter purge procedure before you lift the product. Refer to *To remove dust particles from the prefilter during operation on page 16*.

2. To lift the product safely, put straps through the lifting eyes.



WARNING: Do not use metal hooks, chains or other lifting equipment with rough edges that can cause damage to the lifting eye. Only soft lifting straps are permitted.

Storage of the product



CAUTION: Put the product in an indoor storage away from outdoor elements.

- Keep the product in storage where the ambient temperature is between -10°C/14°F and 40°C/104°F.
- Before storage, do the filter purge procedure and discard the Longopac with collected material.
- Disconnect the product from the power source.
- Put the product in a dry and frost-free area.
- Put the product in a locked area. Do not let children or not approved persons near the product.

Disposal of the product

- Obey the local recycling requirements and applicable regulations.
- When the product no longer is used, send it to a Husqvarna dealer or discard it at a recycling location.

Technical data

Technical data

Data	DE 110i H	DE 120 H PACE
Power source	Battery	Battery
Rated voltage, V	36	94
Maximum power, W	900	2200
Maximum current, A	20	17
Maximum airflow, cfm / m ³ /h	127 / 215	259 / 450
Maximum vacuum, psi / kPa / in. H ₂ O	2.5 / 17 / 68	2.9 / 22 / 88
Auxiliary outlet	No	
Prefilter area, ft ² / m ²	15.4 / 1.4	29.5 / 2.7
Filter efficiency HEPA	HEPA 13	
Total HEPA area, ft ² / m ² HEPA 13	12.7 / 1.2	25.4 / 2.7
Dust collection system, type	Longopac	
Filter cleaning mechanism	Jet Pulse	
Dimensions L×W×H, in. / mm	26.4×15.7×39.4 / 670×400×1000	32.1×21.3×44.3 / 815×542×1125
Weight, lbs / kg	57 / 26	90 / 41
Sound power level L _{WA} measured, dB(A) ¹	83.6	97.3
Sound pressure level L _{PA} at the operators ear, dB(A) ²	68.3	81.6
Vibration level a _h , m/s ²³	≤2.5	
Protection class	IP44	

Embedded connectivity

Note: This part is applicable only for products supplied with embedded connectivity.

BLE technology radio spectrum	
Frequency bands for the tool, GHz	2.402-2.480
Maximum radio-frequency power transmitted, dBm/mW	4/2.5

¹ Noise emissions in the environment measured as sound power (LWA) in conformity with EN 60335-2-69. Uncertainty Kwa 2dB.

² Noise pressure level according to EN 60335-2-69. Uncertainty KPA 2dB.

³ Vibration level according to EN 60335-2-69. Reported data for vibration level has a typical statistical dispersion (standard deviation) of 1 m/s².

Accessories

Approved batteries for the product

Product	DE 110i H		DE 120 H PACE	
	Battery	BLi 200	BLi 300	100-B380X PACE
Type	Lithium-ion	Lithium-ion	Lithium-ion	Lithium-ion
Battery capacity, Ah	5.2	9.4	4	8
Nominal voltage, V	36	36	94	94
Weight, kg / lb	1.3 / 2.9	1.9 / 4.2	3.1 / 6.1	5.1 / 11.4

Approved battery chargers for the product

Product	DE 110i H		DE 120 H PACE	
	Battery charger	QC 330	QC 500	100-C900X PACE
Mains voltage, V	100-240	100-240	100-240	100-240
Frequency, Hz	50-60	50-60	50-60	50-60
Power, W	330	500	900	1800

Warranty

Warranty

New equipment sold by Husqvarna Construction, SE-561 82 Huskvarna, SWEDEN is warranted to be free from manufacturing defects in normal service for a period of one (1) year from date of purchase by the original consumer purchaser*. Component manufacturers offer separate warranty periods. Call Technical Services at (800) 365-5040 for complete information.

Husqvarna's obligation under this warranty is expressly limited to the replacement or repair at Husqvarna AB Products, or at a service facility designated by us, of such part or parts as inspection shall disclose to have been defective.

This warranty does not apply to defects caused by damage, unreasonable use, faulty repairs made by others or defects caused by failure to provide reasonable maintenance, while in the possession of the consumer. Further, the warranty is void if the product, or any of its components, is altered or modified by the consumer or if the product is used in an inappropriate manner or with a blade not recommended by the manufacturer.

(*) Husqvarna offers a 1-year warranty on all equipment with the following exceptions:

- Large flat saws - 2 years (Diesel and gasoline powered flat saws > 30 hp)
- DM 280/DM 340/DM 650 core drill motors - 2 years
- PG 530/PG 680/PG 820 (all variants, including RC) - 2 years, or 1,000 hours (whichever comes first)
- Blade Clutch on large flat saws - 6 months

Wear items are not covered under warranty:

- Belts
- Bearings**
- Cart wheels
- Filters
- Wheels***
- Wear pads
- Spark plugs

(**) Except IntelliSeal System

(***) Except delamination

Registered trademarks

The *Bluetooth*[®] word mark and logos are registered trademarks owned by *Bluetooth SIG, inc.* and any use of such marks by Husqvarna is under license.

Contenido

Introducción.....	32	Transporte, almacenamiento y eliminación de residuos.....	58
Seguridad.....	36	Datos técnicos.....	61
Funcionamiento.....	42	Accesorios.....	62
Mantenimiento.....	49	Garantía.....	63
Solución de problemas.....	55	Marcas comerciales.....	64

Introducción

Responsabilidad del propietario



ADVERTENCIA: El procesamiento de hormigón y piedra mediante métodos como corte, amolado o perforación, especialmente en operaciones en seco, genera polvo que proviene del material procesado y a menudo contiene sílice. La sílice es un componente básico de la arena, el cuarzo, la arcilla de los ladrillos, el granito y otros numerosos minerales y rocas. La exposición a una cantidad excesiva de polvo de sílice puede causar las siguientes afecciones:

Enfermedades respiratorias (que afectan la capacidad de respirar), incluidas la bronquitis crónica, la silicosis y la fibrosis pulmonar debido a la exposición a la sílice. Estas enfermedades pueden ser mortales.

Irritación cutánea y sarpullido.

Cáncer, según el NTP* y la IARC* */National Toxicology Program (Programa Nacional de Toxicología) y Centro Internacional de Investigaciones sobre el Cáncer.

Tome medidas preventivas:

Evite inhalar y que su piel entre en contacto con el polvo, el vaho y los gases.

Utilice artículos apropiados para la protección respiratoria como máscaras contra polvo diseñadas para filtrar partículas microscópicas, y asegúrese de que todas las personas que se encuentren cerca también lo hagan. (Consulte la normativa OSHA 29 CFR Parte 1926.1153)

Para minimizar las emisiones de polvo, utilice un extractor de polvo adecuado.

Es responsabilidad del propietario o del empleador que el operador posea los conocimientos necesarios sobre cómo utilizar el producto de manera segura. Los supervisores y operadores deben haber leído y comprendido el manual de usuario. Deben tener conocimiento de lo siguiente:

- Las instrucciones de seguridad del producto.
- La gama de aplicaciones y limitaciones del producto.
- Cómo el producto se va a utilizar y mantener.

El uso de este producto se podría ver restringido por las normativas nacionales o locales. Antes de comenzar a utilizar el producto, infórmese sobre qué normativas se aplican en el lugar donde trabaja.

Descripción del producto

El producto es un extractor de polvo con batería. El aire cargado de polvo pasa a través de la manguera de aspiración hacia la válvula de entrada. El producto separa las partículas de polvo del aire. Las partículas caen en la bolsa de plástico en la parte inferior del producto.

Uso previsto

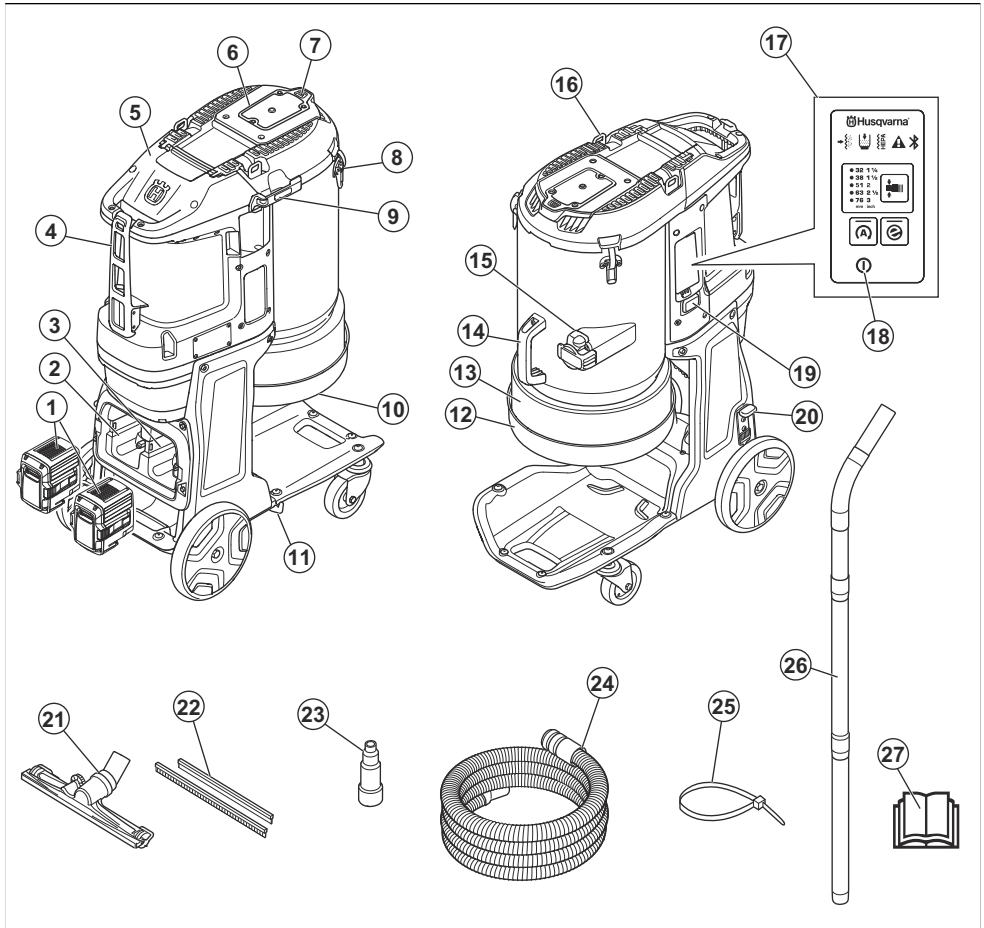


ADVERTENCIA: No recoja fuentes de ignición, partículas calientes, líquidos, material explosivo y partículas pirofóricas o inestables.

El producto es solo para el uso por parte de profesionales. El producto se utiliza para recoger y retirar material seco de las máquinas y los dispositivos. El material puede ser peligroso y perjudicial para la salud; consulte la clase de polvo H en EN 60335-2-69.

No utilice el producto para otras tareas. Utilice el producto solo con accesorios aprobados por el fabricante.

Descripción general del producto



- | | |
|--|--|
| 1. Batería (accesorio) | 16. Cáncamo |
| 2. Almacenamiento para batería de repuesto | 17. Panel de control; consulte <i>Funciones del panel de control en la página 44</i> |
| 3. Soporte de batería | 18. Encendido/apagado |
| 4. Sujetador de la manguera de extracción de polvo | 19. Medidor de horas |
| 5. HEPA cubierta del filtro | 20. Freno de la rueda |
| 6. Cubierta del prefiltro | 21. Boquilla inferior |
| 7. Botón de purga del filtro | 22. Tiras de goma |
| 8. Bloqueo de la cubierta | 23. Boquilla de la manguera (DE 110i H) |
| 9. Sujetador de conmutación del tubo de la manilla | 24. Manguera extractora de polvo |
| 10. Cono de goma de liberación de polvo | 25. Sujetacables |
| 11. Soporte del tubo de la manilla | 26. Tubo de la manilla |
| 12. Longopac soporte | 27. Manual del usuario |
| 13. Longopac | |
| 14. Manilla | |
| 15. Bloqueo de la manguera | |

Símbolos en el producto



ADVERTENCIA: Este producto puede ser peligroso y provocar daños graves o fatales al operador o a otras personas. Tenga cuidado y utilice el producto correctamente.



Lea atentamente el manual y asegúrese de que entiende las instrucciones antes de usar el producto.



Utilice protectores auriculares, protección ocular y protección respiratoria. Consulte *Equipo de protección personal en la página 40*.



No utilice ganchos metálicos, cadenas u otros equipos de elevación con bordes irregulares que puedan dañar el cáncamo. Utilice solamente correas de elevación blandas.



Este dispositivo tiene clasificación H y está certificado por un externo de acuerdo con IEC-60335-2-69, EN-60335-2-69 Anexo AA.

Este dispositivo contiene polvo nocivo. Las operaciones de vaciado y mantenimiento, incluida la extracción de los contenedores de recolección de polvo, solo se pueden realizar por expertos que usen el equipo de protección adecuado. Nunca opere el extractor de polvo sin el sistema completo de filtración.



El producto no es un residuo doméstico. Recíclelo en un sitio de reciclaje aprobado para equipos eléctricos y electrónicos.



Si el producto cuenta con tecnología inalámbrica Bluetooth®. El símbolo Bluetooth® estará en la etiqueta del nombre del producto. Consulte *Bluetooth® tecnología inalámbrica en la página 43*.

Tenga en cuenta: Otros símbolos o etiquetas en el producto hacen referencia a requisitos de certificación especiales para algunos mercados.

Símbolos en la batería o en el cargador de la batería



El producto o paquete del producto no es residuo doméstico.



Recicle el producto en un sitio de eliminación de desechos adecuado para equipos eléctricos y electrónicos.



No ponga la batería en el agua.



Mantenga la batería alejada de la luz solar, del calor o de llamas.

IPX4

El producto tiene protección contra salpicaduras de agua.



Conexión a tierra funcional.



Transformador a prueba de fallas.



Use y mantenga el cargador de batería únicamente en interiores.



Doble aislamiento.

Conectividad integrada

La solución de administración de activos en la nube Husqvarna Fleet Services™ ofrece al administrador de flotas una descripción general de todos los productos que están conectados a través de sensores integrados o del mercado de posventa. Se puede utilizar la posición de la puerta de enlace o del teléfono inteligente para indicar la ubicación de los productos conectados. Los sensores registran datos como el tiempo de funcionamiento, los intervalos de servicio y otros. Para obtener más información

acerca de la solución de administración de activos en la nube Husqvarna Fleet Services™, descargue la aplicación para iOS o Android Husqvarna Fleet Services en <https://apps.apple.com/se/app/husqvarna-fleet-services/id1334672726> o <https://play.google.com/store/apps/details?id=com.husqvarna.hfsmobile&hl=en>. Comuníquese con su Husqvarna representante de ventas para obtener más información.

Algunos tipos de este producto están conectados a través del sensor Husqvarna Fleet Services™ integrado que tiene la función Bluetooth Low Energy (BLE). Para obtener más información acerca de cómo utilizarlo, consulte *Para utilizar la conectividad integrada con una flota en la página 43*. Para obtener información acerca del espectro de radio con tecnología BLE, consulte *Conectividad integrada en la página 61*. Para obtener información respecto de dudas de cumplimiento de Husqvarna Fleet Services™, consulte *Dudas de cumplimiento en la página 35*.

Dudas de cumplimiento

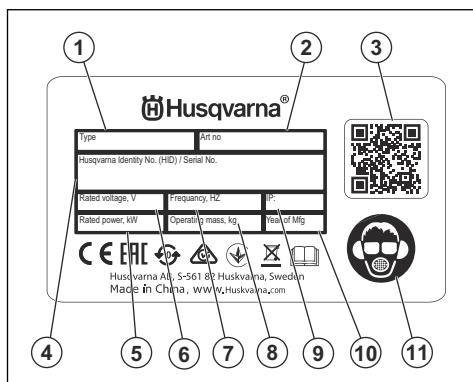
Tenga en cuenta: Los cambios o modificaciones que no estén expresamente aprobados por Husqvarna pueden anular el cumplimiento del equipo de las normas de la FCC y limitar la autoridad del usuario para operar el equipo.

Tenga en cuenta: Este dispositivo cumple con el Segmento 15 de las reglas de la FCC y con las normas de RSS no sujetas a licencias de Industry Canada.

El funcionamiento está sujeto a las siguientes dos condiciones:

- Este dispositivo no debe causar interferencias perjudiciales.
- Este dispositivo debe aceptar cualquier interferencia que reciba, incluso una interferencia que pueda causar una operación no deseada.

Placa de identificación



1. Modelo
2. Número de artículo
3. Código escaneable
4. Número de serie
5. Potencia nominal
6. Voltaje nominal
7. Frecuencia
8. Peso
9. Clase IP
10. Año de fabricación
11. Equipo de protección personal

Responsabilidad del fabricante

Como se menciona en las leyes de responsabilidad del fabricante, no nos hacemos responsables de los daños que cause nuestro producto si:

- el producto se repara incorrectamente
- el producto se repara con piezas que no son del fabricante o que este no autoriza
- el producto tiene un accesorio que no es del fabricante o que este no autoriza
- el producto no se repara en un centro de servicio autorizado o por una autoridad aprobada.

Seguridad

Definiciones de seguridad

Las advertencias, precauciones y notas se utilizan para señalar las piezas particularmente importantes del manual.



ADVERTENCIA: Se utilizan para señalar el riesgo de lesiones graves o mortales para el operador o para aquellos que se encuentren cerca si no se siguen las instrucciones del manual.



AVISO: Se utilizan para señalar el riesgo de dañar la máquina, otros materiales o el área adyacente si no se siguen las instrucciones del manual.

Tenga en cuenta: Se utilizan para entregar más información necesaria en situaciones particulares.

Instrucciones generales de seguridad



ADVERTENCIA: Lea atentamente las instrucciones de advertencia siguientes antes de usar el producto.



ADVERTENCIA: Los productos PACE contienen voltajes peligrosos dentro de la carcasa. Para evitar sacudidas eléctricas, cumpla lo siguiente: No intente abrir el producto. No opere el producto si está dañado. No conecte una batería PACE a un producto dañado. Si el producto se daña durante el uso, quite la batería PACE del producto y comuníquese con su centro de servicio de Husqvarna.

- Este producto puede ser una herramienta peligrosa si no se maneja con cuidado o si utiliza el producto de forma incorrecta. Este producto puede causar daños graves o fatales al operador o a otras personas. Antes de utilizar el producto, es muy importante que lea y comprenda el contenido de este manual de usuario.
- No permita que el producto sea utilizado por personas (incluidos niños) con capacidades físicas, sensoriales o cognitivas reducidas, a menos que sean supervisados o hayan recibido instrucciones sobre el uso del producto por parte de una persona responsable de su seguridad.
- Asegúrese de tener experiencia y conocimientos sobre el producto antes de usarlo.
- Asegúrese de que todos los controles estén apagados antes de desconectar la batería.

- Cumpla todas las leyes y reglamentos vigentes.
- El operador y el empleador del operador deben conocer y evitar los riesgos durante la operación del producto.
- No permita que nadie que no haya leído y comprendido el contenido del manual de usuario utilice el producto.
- No utilice el producto si no ha recibido capacitación antes de su uso. Asegúrese de que todos los usuarios reciban capacitación.
- No deje que un niño utilice el producto.
- Restrinja el uso del producto solo a personas autorizadas.
- El operador es responsable de los accidentes que puedan ocurrirles a otras personas o a sus propiedades.
- No utilice el producto si está cansado, enfermo o bajo la influencia de alcohol, drogas o medicamentos.
- Sea siempre cuidadoso y use el sentido común.
- En este producto se genera un campo electromagnético durante su funcionamiento. Este campo puede, en determinadas circunstancias, interferir en implantes médicos activos o pasivos. Para reducir el riesgo de daños graves o mortales, se recomienda que las personas con implantes médicos consulten a su médico y al fabricante del implante médico antes de utilizar este producto.
- Mantenga el producto limpio. Asegúrese de que puede leer señales y etiquetas claramente.
- No utilice el producto si se encuentra defectuoso.
- No realice modificaciones a este producto ni a la unidad de batería.
- No utilice el producto si es posible que otras personas hayan realizado modificaciones en el mismo.
- No utilice el producto sin los filtros necesarios.
- Guarde todas las advertencias y las instrucciones.

Seguridad de la batería



ADVERTENCIA: Lea atentamente las instrucciones de advertencia siguientes antes de usar el producto.



ADVERTENCIA: Una batería dañada puede provocar una explosión y causar lesiones. Si la batería tiene una deformación o está dañada, hable con un taller de servicio Husqvarna autorizado.

- Utilice solo las baterías BLi que recomendamos para su producto. Las baterías cuentan con un software cifrado.

- Utilice solamente baterías originales para este producto. Existe riesgo de explosión si se reemplazan las baterías por baterías de tipo incorrecto. Comuníquese con su concesionario para obtener más información.
- Utilice BLi baterías recargables como fuente de alimentación solo para los productos Husqvarna relacionados. Para evitar daños, no utilice la batería como fuente de alimentación en otros dispositivos.
- Riesgo de sacudida eléctrica. No conecte los terminales de la batería a llaves, tornillos ni a otros objetos metálicos. Esto puede provocar un cortocircuito de la batería.
- Si se produce una filtración de la batería, no permita que el líquido entre en contacto con la piel, la ropa o el producto. Si toca el líquido, limpie el área con agua abundante y solicite asistencia médica.
- Utilice gafas protectoras cuando esté cerca de las baterías. Si le salpica líquido a los ojos, no los frote; en su lugar, enjuáguelos con agua durante, al menos, 15 minutos. Busque asistencia médica.
- No utilice baterías no recargables.
- No modifique la batería.
- No introduzca objetos en las ranuras de aire de la batería.
- Mantenga la batería alejada de la luz solar, del calor o de llamas. La batería puede explotar y causar quemaduras por fuego o químicas.
- Mantenga la batería alejada de condiciones húmedas y de la lluvia.
- Mantenga la batería alejada de microondas y de alta presión.
- No intente desarmar o romper la batería.
- Utilice la batería solo cuando la temperatura ambiente sea de entre -10 °C/14°F y 40 °C/104 °F.
- No limpie con agua la batería o el cargador de batería. Consulte *Para revisar la batería y el compartimiento de la batería en la página 51*.
- No utilice una batería que esté dañada.
- Almacene las baterías en compartimientos alejados de objetos metálicos, como clavos, tornillos o joyas.
- Mantenga las baterías alejadas de los niños.
- Fije la batería correctamente. Una batería conectada incorrectamente puede provocar un cortocircuito en la batería.
- No utilice otros cargadores de batería además del proporcionado para su producto. Solo utilice cargadores Husqvarna QC o Husqvarna PACE cuando cargue las baterías de repuesto Husqvarna BLi o PACE.
- No intente desarmar el cargador de batería.
- No utilice un cargador de batería dañado.
- No levante el cargador de batería tirando del cable de alimentación. Para desconectar el cargador de batería de la toma de corriente, tire del enchufe. No tire del cable de alimentación.
- Mantenga todos los cables y extensiones alejados del agua, aceite y bordes afilados. Asegúrese de que el cable no quede atrapado entre puertas, cercos u objetos similares.
- No utilice el cargador de batería cerca de materiales inflamables o materiales que puedan causar corrosión. Asegúrese de que el cargador de la batería no esté cubierto. Desconecte el cargador de batería del enchufe en caso de incendio o humo.
- Cargue la batería solo en un lugar bajo techo con buena ventilación y lejos de la luz solar. No cargue la batería al aire libre. No cargue la batería en condiciones húmedas.
- Utilice el cargador de la batería solamente cuando la temperatura ambiente esté entre 5 °C / 41 °F y 40 °C / 104 °F. Utilice el cargador en un entorno seco, libre de polvo y con buena ventilación.
- No ingrese objetos en las ranuras de aire del cargador de la batería.
- No conecte los terminales del cargador de la batería a objetos metálicos, ya que esto puede causar cortocircuitos en el cargador de la batería.
- No cargue baterías no recargables en el cargador de la batería ni las utilice en la máquina.
- Utilice tomas de corriente aprobadas que no presenten daños.

Seguridad en el área de trabajo

- **Mantenga el área de trabajo limpia y bien iluminada.** Las áreas desordenadas u oscuras pueden generar accidentes.
- **No opere el producto en atmósferas explosivas, como ante la presencia de gases, polvo o líquidos inflamables.** El producto genera chispas que pueden encender el polvo o humos.
- **Mantenga alejados a niños y transeúntes mientras opera el producto.** Las distracciones pueden hacerle perder el control.

Seguridad eléctrica



ADVERTENCIA: No exponga el aparato a la lluvia ni a condiciones húmedas. El agua que ingresa a un aparato eléctrico aumenta el riesgo de sacudida eléctrica.

Seguridad del cargador de batería



ADVERTENCIA: Lea todas las advertencias de seguridad y todas las instrucciones. Si no respeta las advertencias ni sigue las instrucciones, se pueden producir sacudidas eléctricas, incendios o daños graves.

- Existe riesgo de sacudidas eléctricas o cortocircuitos si no se siguen las instrucciones de seguridad.

- **El enchufe del cable de alimentación del aparato debe coincidir con la toma de corriente. No modifique el enchufe de ninguna forma. No utilice enchufes con adaptador con aparatos conectados a tierra.** Los enchufes sin modificaciones y las tomas correspondientes reducen el riesgo de sacudida eléctrica.
- **Inserte el enchufe en una toma de corriente con conexión a tierra adecuada que se haya instalado de forma correcta y segura y que cumpla con las regulaciones locales. Si tiene dudas sobre la eficacia de la conexión a tierra de la toma de corriente, solicite que un especialista calificado la revise.**
- **Evite el contacto corporal con superficies conectadas a tierra, como tuberías, radiadores, cocinas, estufas y refrigeradores.** Existe un mayor riesgo de sacudida eléctrica si su cuerpo está conectado a tierra.
- **Compruebe que el cable de alimentación no esté apoyado en un charco de agua.**
- **Compruebe el cable de alimentación del aparato en intervalos regulares y solicite que el fabricante o el agente lo reemplacen si se encuentran dañados. Revise los cables de extensión en intervalos regulares y reemplácelos si están dañados.**
- **No toque el cable de alimentación o el cable de extensión si se dañan durante el trabajo. Desconecte el enchufe del cable de alimentación de la toma de corriente.** Los cables de alimentación o los cables de extensión dañados presentan riesgo de sacudida eléctrica.
- **No haga mal uso del cable. Nunca utilice el cable para transportar, tirar o desconectar el aparato. Mantenga el cable alejado del calor, el aceite, los bordes afilados o las piezas móviles.** Los cables dañados o enredados aumentan el riesgo de sacudida eléctrica.
- **Al operar un aparato eléctrico en exteriores, solo utilice cables de extensión aptos para su uso al aire libre.** La utilización de un cable de extensión apto para el uso al aire libre reduce el riesgo de sacudida eléctrica.
- **Si se produce una interrupción en la fuente de alimentación eléctrica, apague el artefacto y desenchúfelo de la toma de corriente.**
- **Nunca utilice el artefacto si está sucio o húmedo.** El polvo (especialmente el polvo de materiales conductores) o la humedad adheridos a la superficie del aparato pueden, en condiciones desfavorables, provocar una sacudida eléctrica. **Por lo tanto, un taller de servicio aprobado debe revisar los aparatos sucios o polvorientos a intervalos regulares, especialmente si se utilizan con frecuencia para trabajar en materiales conductores.**
- **Si no se puede evitar el uso de un aparato en un lugar húmedo, utilice un suministro de corriente residual (RCD, del inglés residual current device) protegido.** El uso de un RCD reduce el riesgo de que se produzcan sacudidas eléctricas.

- Realice pruebas periódicas de seguridad eléctrica en el producto. Consulte las normativas locales para conocer el procedimiento correcto.

Seguridad personal

- **Permanezca alerta, vea lo que está haciendo y use el sentido común cuando opere el producto. No utilice el producto si está cansado o bajo la influencia de drogas, alcohol o medicamentos.** Un momento de distracción a la hora de operar el producto puede generar daños personales graves.
- **Utilice el equipo de protección personal. Siempre utilice protección ocular.** El equipo de protección (como máscara contra polvo, calzado de seguridad antideslizante, casco o protectores auriculares) que se utiliza en condiciones pertinentes reducirá los daños personales.
- **Evite el arranque accidental. Asegúrese de que el interruptor esté en la posición apagado antes de conectar el equipo a una fuente de energía o insertar una unidad de batería, así como cuando recoja o transporte el producto.** Si transporta el producto con el dedo en el interruptor o si le suministra corriente con el interruptor en la posición encendido, puede provocar accidentes.
- **Quite cualquier llave de ajuste antes de encender la herramienta eléctrica.** Una llave conectada a una pieza giratoria del producto puede causar daños personales.
- **No se estire demasiado. Mantenga una posición y un equilibrio adecuados en todo momento.** Esto permite un mejor control del producto en situaciones inesperadas.
- **Vístase adecuadamente. No use ropa suelta ni joyas. Mantenga el pelo y la ropa lejos de las piezas en movimiento.** La ropa suelta, las joyas o el cabello largo pueden quedar atrapados en las partes que se mueven.
- **Si se proporcionan dispositivos para la conexión de instalaciones de recolección y extracción de polvo, asegúrese de que estos se conecten y utilicen de manera pertinente.** El uso de recolectores de polvo puede reducir los peligros relacionados con el polvo.
- **No se confíe de los conocimientos obtenidos a partir del uso frecuente de las herramientas ni pase por alto los principios de seguridad de uso de las herramientas.** Una acción negligente puede causar una lesión grave en una fracción de segundo.

Uso y cuidado del producto

- **No fuerce el producto. Utilice el producto correcto según su aplicación.** Con el producto correcto, hará el trabajo mejor y de manera más segura a razón del propósito para el cual fue diseñado.
- **No utilice el producto si no se puede encender ni apagar con el interruptor.** Cualquier producto que no se puede controlar con el interruptor conlleva peligros y se debe reparar.
- **Desconecte el enchufe de la fuente de energía o retire del producto la unidad de batería, si**

es desmontable, antes de hacer ajustes, cambiar accesorios o almacenar el producto. Tales medidas de seguridad preventivas reducen el riesgo de arranque accidental del producto.

- **Almacene el producto inactivo fuera del alcance de los niños y no permita que personas que no estén familiarizadas con el producto o con estas instrucciones operen el producto.** El producto conlleva peligros en manos de usuarios inexpertos.
- **Realice mantenimiento al producto y a los accesorios. Revise en busca de atascamiento o desalineación de las piezas móviles, rotura de piezas o cualquier otra condición que pueda afectar el funcionamiento de la herramienta eléctrica. Si está dañada, repare el producto antes de su uso.** Muchos de los accidentes se deben a herramientas eléctricas con un mal mantenimiento.
- **Mantenga las herramientas de corte afiladas y limpias.** Las herramientas de corte con un mantenimiento correcto y bordes cortantes afilados son menos propensas a atascamientos y más fáciles de controlar.
- **Utilice el producto, los accesorios, las barrenas, etc. de acuerdo con estas instrucciones, conforme a las condiciones de trabajo y la tarea que se debe realizar.** El uso del producto en operaciones distintas de las previstas podría generar una situación peligrosa.
- **Mantenga los mangos y las superficies de agarre secos, limpios y sin grasa ni aceite.** Los mangos y las superficies de agarre resbaladizas no permiten un manejo seguro ni el control de la herramienta en situaciones imprevistas.

Uso y cuidado de la herramienta a batería

- **Recargue únicamente con el cargador especificado por el fabricante.** Un cargador apto para un tipo de unidad de batería puede implicar riesgo de incendio si se usa con otra unidad de batería distinta.
- **Utilice los productos únicamente con las unidades de batería diseñadas específicamente para ellos.** El uso de otras baterías puede implicar riesgo de lesiones e incendio.
- **Cuando la unidad de batería no esté en uso, manténgala alejada de otros objetos metálicos, como sujetapapeles, monedas, llaves, clavos, tornillos u otros objetos metálicos pequeños que puedan provocar una conexión entre los terminales.** Si hace un puente entre los terminales de la batería, puede causar quemaduras o un incendio.
- **En condiciones extremas, la batería puede expulsar líquido; evite el contacto. Si se produjera un contacto accidentalmente, enjuáguese con agua. Si el líquido entra en contacto con los ojos, además, acuda a un médico.** El líquido expulsado de la batería puede causar irritaciones o quemaduras.
- **No utilice una unidad de batería ni una herramienta dañada o modificada.** Las baterías dañadas o modificadas pueden presentar un comportamiento

impredecible que puede ocasionar incendios, explosiones o riesgo de lesiones.

- **No exponga una unidad de batería ni una herramienta al fuego o una temperatura excesiva.** La exposición al fuego o una temperatura superior a 130 °C/265 °F puede causar una explosión.
- **Siga todas las instrucciones de carga y no cargue la batería ni la herramienta en condiciones que superen el rango de temperatura especificado en las instrucciones.** De lo contrario, podría dañar la batería y aumentar el riesgo de incendio.

Servicio

- Solo deje que el centro de servicio aprobado realice el mantenimiento con piezas de repuesto aprobadas. Esto mantendrá la seguridad del producto.
- No realice tareas de mantenimiento ni abra las unidades de baterías. Solo el centro de servicio aprobado debe realizar el mantenimiento de las unidades de baterías.
- Consulte *Programa de mantenimiento en la página 50* para obtener más información.

Instrucciones de seguridad para el montaje



ADVERTENCIA: Lea atentamente las instrucciones de advertencia siguientes antes de montar el producto.

- Las modificaciones o los accesorios no autorizados pueden provocar graves lesiones o incluso la muerte al usuario u otras personas.
- Utilice solo accesorios como se describe en este manual. Utilice solo accesorios recomendados por el fabricante.
- Asegúrese de que el área de montaje sea firme, de manera que el producto no se pueda volcar. Riesgo de daños personales y materiales.
- Tenga cuidado, los sujetadores de conmutación pueden causar daños al operador cuando ensamble el producto.

Instrucciones de seguridad para el funcionamiento



ADVERTENCIA: Lea atentamente las instrucciones de advertencia siguientes antes de usar el producto.

- Si el producto no funciona correctamente, se cae, está dañado, se deja al aire libre o cae al agua, deje de operar el producto. Solicite a un taller de servicio autorizado que repare el producto.
- Asegúrese de que el motor y todos los controles estén apagados antes de desconectar la unidad de batería.

- Desconecte la batería del producto cuando no lo utilice, antes de realizar tareas de mantenimiento o antes de alejarse del producto.
- No utilice el producto si no puede recibir ayuda en caso de que ocurra un accidente.
- Conozca los controles y el funcionamiento correcto del producto antes de su uso.
- No opere el producto a temperaturas inferiores a -10 °C.
- No opere el producto si existe riesgo de explosión o en áreas donde haya materiales o líquidos inflamables.
- No introduzca objetos en las aberturas.
- No opere si una abertura está bloqueada. Quite el polvo, las pelusas, el cabello u otro material que pueda disminuir el flujo de aire.
- No utilice el producto con las manos mojadas.
- Mantenga el cabello, la ropa suelta y todas las partes del cuerpo lejos de las aberturas y las piezas móviles.
- Opere el producto con mucho cuidado en las escaleras para evitar daños y lesiones si el producto cae.
- Bloquee siempre las ruedas de transporte si trabaja sobre una superficie irregular.
- Tenga cuidado con personas, objetos y situaciones que puedan impedir el funcionamiento seguro del producto.
- Asegúrese de que siempre se pueda detener el motor rápidamente en caso de emergencia.
- Si el producto no funciona correctamente, deténgalo.
- No opere el producto sin Longopac y sin los filtros instalados. Reemplace la bolsa Longopac y los filtros, tal como se indica en este manual.
- Siempre extraiga la batería antes de alejarse del producto.
- Si el producto presenta una vibración o un nivel de ruido inusuales, deténgalo de inmediato y extraiga la batería. Examine el producto en busca de daños. La vibración inusual suele ser una advertencia de daños. Repare los daños o solicite a un taller de servicio autorizado que realice la reparación.
- Siempre utilice accesorios homologados. Comuníquese con su representante Husqvarna para obtener más información.

- Realice periódicamente una comprobación del estado del equipo de protección personal.
- Utilice un casco protector aprobado.
- Use protección auricular aprobada.
- Use protección respiratoria aprobada con clase P2 o superior.
- Use protección ocular homologada.
- Use guantes protectores.
- Use zapatos de protección.

Instrucciones de seguridad para el mantenimiento



ADVERTENCIA: Lea atentamente las instrucciones de advertencia antes de realizar mantenimiento al producto.

- Retire la batería antes de hacer el mantenimiento, otras revisiones o el armado del producto.
- El operador solo debe hacer el mantenimiento y el servicio que se indica en el manual del usuario. Acuda a su concesionario de servicio cuando deba realizar mantenimiento y servicio a mayor escala.
- No limpie con agua la batería o el cargador de batería. Los detergentes fuertes pueden dañar el plástico.
- Si no realiza el mantenimiento, disminuye la vida útil del producto y aumenta el riesgo de accidentes.
- Se necesita capacitación especial para todos los trabajos de servicio y reparación, especialmente de los dispositivos de seguridad del producto. Si no se aprueban todas las comprobaciones establecidas en este manual del usuario después de realizar el mantenimiento, acuda al concesionario de servicio. Garantizamos que existen reparaciones y servicios profesionales disponibles para su producto.
- Solo utilice piezas de repuesto originales.

Dispositivos de seguridad en el producto



ADVERTENCIA: Lea atentamente las instrucciones de advertencia siguientes antes de usar el producto.

- Nunca utilice un producto que tenga un equipo de seguridad defectuoso. Si la máquina no aprueba alguna comprobación, póngase en contacto con su taller de servicio para repararla.
- No utilice el producto si las placas de protección, las cubiertas de protección, los interruptores de seguridad u otros dispositivos protectores no están acoplados o están defectuosos.

Equipo de protección personal



ADVERTENCIA: Lea atentamente las instrucciones de advertencia siguientes antes de usar el producto.

- Utilice siempre el equipo de protección personal aprobado cuando utilice el producto. El equipo de protección personal no puede impedir el riesgo de lesiones, pero disminuirá el grado de lesión si ocurre un accidente. Solicite a su concesionario que lo ayude a seleccionar el equipo de protección personal correcto.

Utilice siempre el sentido común



ADVERTENCIA: Bajo ninguna circunstancia debe modificar el diseño original de la máquina sin la aprobación del fabricante. Utilice siempre piezas de repuesto originales. Las modificaciones o los accesorios no autorizados pueden provocar lesiones graves o fatales al usuario u otras personas.



ADVERTENCIA: El uso de máquinas tales como cortadoras, amoladoras, taladros, que lijan o dan forma a materiales, puede generar polvo y vapores que pueden contener productos químicos peligrosos. Compruebe el origen del material que va a procesar y utilice una máscara respiratoria adecuada.

No es posible abordar todas las situaciones posibles que puede afrontar cuando utiliza el producto. Siempre tenga cuidado y use su sentido común. Evite todas las situaciones que considere que están más allá de su capacidad. Si todavía se siente inseguro acerca de los procedimientos operativos después de leer estas instrucciones, debe consultar a un experto antes de continuar.

No dude en comunicarse con su Husqvarna representante si tiene preguntas sobre el uso del producto. Estaremos encantados de brindarle consejos y asesoría, además de prestarle ayuda con el uso del producto de forma eficiente y segura.

Permita que su distribuidor de Husqvarna revise regularmente el producto y realice los ajustes y las reparaciones necesarios.

Husqvarna AB tiene una política de desarrollo continuo de productos. Husqvarna se reserva el derecho de modificar el diseño y el aspecto de los productos sin previo aviso y de presentar modificaciones al diseño sin compromisos ulteriores.

Toda la información y todos los datos en el manual del usuario estaban vigentes en el momento en que el manual del usuario se envió a impresión.

Bluetooth®



AVISO: Los cambios o las modificaciones realizados al equipo que no cuentan con una aprobación expresa de Husqvarna podrían anular la autorización de FCC para hacer funcionar el equipo.

Aviso: Este dispositivo cumple con la Parte 15 de las Reglas de FCC y con las normas RSS exentas de licencia de Industry Canada. El funcionamiento está sujeto a las siguientes dos condiciones:

- Este dispositivo no puede causar interferencias perjudiciales.
- Este dispositivo debe aceptar cualquier interferencia que se reciba, incluida la interferencia que pueda causar una operación no deseada.

Nota: Este equipo se probó y se comprobó que cumple con los límites para un dispositivo digital de Clase B, de acuerdo con la Parte 15 de las reglas de FCC. Estos límites están diseñados para proporcionar una protección razonable contra interferencias perjudiciales en una instalación residencial. Este equipo genera, utiliza y puede irradiar energía de radiofrecuencia y, si no se instala ni se utiliza según las instrucciones, puede causar interferencias perjudiciales para las radiocomunicaciones. Sin embargo, no hay garantía de que no se producirán interferencias en una instalación particular. Si este equipo causa una interferencia perjudicial a la recepción de radio o televisión, lo que se puede determinar apagando o encendiendo el equipo, se aconseja al usuario que trate de corregir las interferencias mediante una de las siguientes medidas:

- Reoriente o reubique la antena receptora.
- Aumente la separación entre el equipo y el receptor.
- Conecte el equipo a una toma de un circuito diferente del que está conectado el receptor.
- Consulte a un distribuidor o técnico de radio o televisión experimentado para obtener ayuda.

Le présent appareil est conforme aux CNR d'Industrie Canada applicables aux appareils radio exempts de licence. L'exploitation est autorisée aux deux conditions suivantes:

- l'appareil ne doit pas produire de brouillage, et
- l'appareil doit accepter tout brouillage radioélectrique subi, même si le brouillage est susceptible d'en compromettre le fonctionnement.

Declaración de conformidad del proveedor para Husqvarna DE 110i H, DE 120 H PACE

47 CFR § 2.1077 Información de cumplimiento

Parte responsable

Husqvarna Construction Products North America Inc.

17400 W 119th Street

Olathe, Kansas 66061

EE. UU.

Información de contacto para EE. UU.: Neil Stanford,
gerente de cumplimiento, número de teléfono:
913-928-1000

Funcionamiento

Haga lo siguiente antes de usar el producto

Tenga en cuenta: Las condiciones de funcionamiento son 800 m/2625 pies de altitud máxima, temperatura entre -10 °C/14 °F y +40 °C/104 °F, y humedad del 85 %.

Tenga en cuenta: Lea el manual de instrucciones del equipo cuidadosamente. Si se proporcionan requisitos o ajustes especificados para el extractor de polvo, asegúrese de cumplirlos.

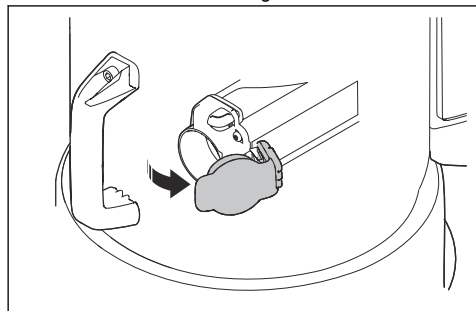
1. Lea atentamente el manual del usuario y asegúrese de entender las instrucciones.
2. Realice el mantenimiento diario. Consulte *Programa de mantenimiento en la página 50*.
3. Asegúrese de que la zona de trabajo esté limpia e iluminada.
4. Utilice el equipo de protección personal. Consulte *Equipo de protección personal en la página 40*.
5. Asegúrese de que el producto esté instalado correctamente.
6. Asegúrese de que la batería esté totalmente cargada.

Para conectar la manguera de extracción de polvo

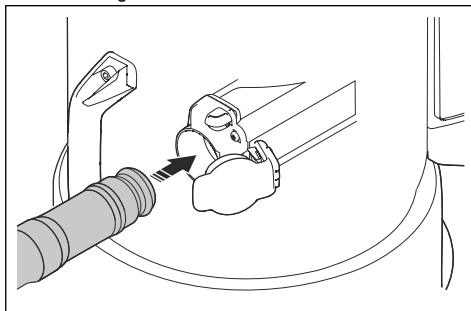


ADVERTENCIA: Utilice una manguera antiestática para evitar los efectos antiestáticos.

1. Abra el conector de la manguera.



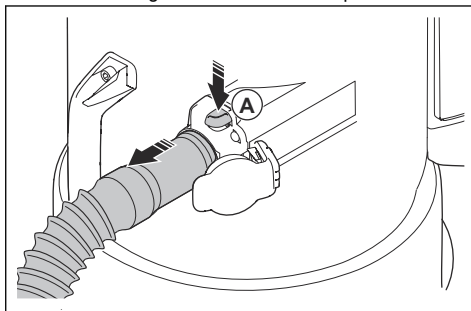
2. Coloque el adaptador de manguera en el conector de la manguera.



3. Empuje el adaptador de manguera hasta que oiga un clic para colocarlo en la posición correcta.

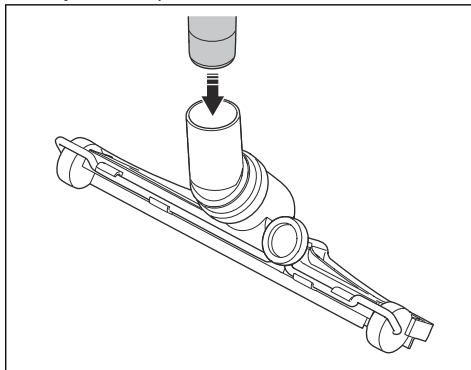
Para quitar la manguera de extracción de polvo

- Presione el botón de bloqueo de la manguera (A) y tire de la manguera de extracción de polvo.

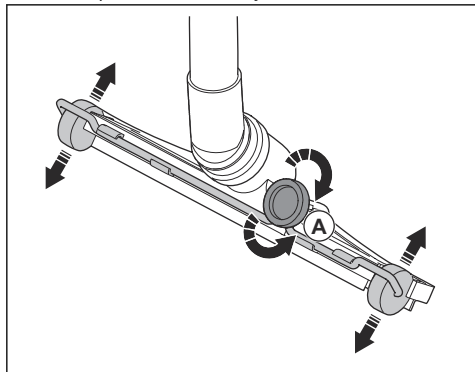


Para conectar y ajustar la boquilla inferior

1. Coloque el extremo de la manija completamente en el eje de la boquilla inferior.



2. Gire la perilla (A) en la parte trasera de la boquilla inferior para ajustar las ruedas de la boquilla inferior. Debido a las distintas superficies y los diferentes tipos de polvo y materiales, es necesario ajustar las ruedas para obtener el mejor rendimiento.



Bluetooth® tecnología inalámbrica

Los productos con tecnología inalámbrica Bluetooth® integrada se pueden conectar a dispositivos móviles y habilitan funciones adicionales desde Husqvarna Connect.

El símbolo de tecnología inalámbrica *Bluetooth*® se enciende cuando el dispositivo móvil está conectado al producto.



Para utilizar la conectividad integrada con una flota

Tenga en cuenta: Esta sección solo se aplica a los productos suministrados con conectividad integrada.

Tenga en cuenta: La radiotransmisión mediante la función de Bluetooth® se activará en la primera conexión a la toma de corriente y permanecerá encendida a partir de ese momento.

1. Descargue la aplicación Husqvarna Fleet Services para iOS o Android Husqvarna Fleet Services.
2. Visite el sitio Web de Husqvarna Fleet Services <https://fleetservices.husqvarna.com> para obtener más información.

Para conectar el cargador de la batería

1. Conecte el cargador de la batería según el voltaje y la frecuencia especificados en la placa de características.

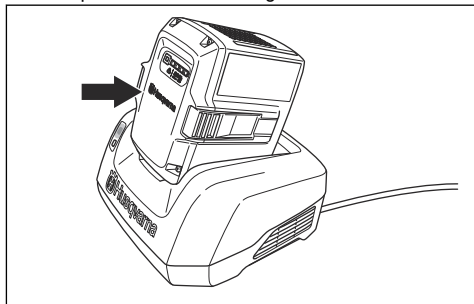
2. Enchufe el producto en una toma de corriente con conexión a tierra. La luz LED del cargador de batería parpadea en verde una vez.

Tenga en cuenta: La batería no se cargará si su temperatura es superior a 50 °C/122 °F. Si la temperatura es superior a 50 °C/122 °F, el cargador de la batería se encargará de enfriarla.

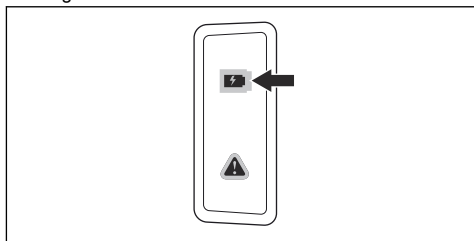
Para conectar la batería al cargador

Tenga en cuenta: Cargue la batería si es la primera vez que la utiliza. Una batería nueva solo está cargada en un 30 %.

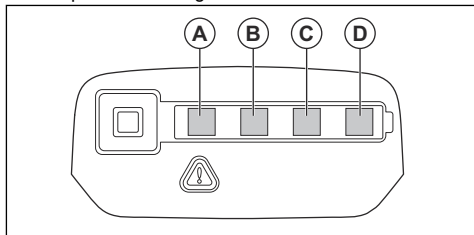
1. Asegúrese de que la batería esté seca.
2. Coloque la batería en el cargador.



3. Asegúrese de que la luz verde de carga en el cargador de la batería se encienda. Esto significa que la batería está conectada correctamente al cargador.



4. Cuando todas las luces LED de la batería se encienden, se indica que la batería está completamente cargada.



- Para desconectar el cargador de batería de la toma de corriente, tire del enchufe. No tire del cable.
- Quite la batería del cargador de la batería.

Tenga en cuenta: Consulte los manuales de la batería y del cargador de la batería para obtener más información.

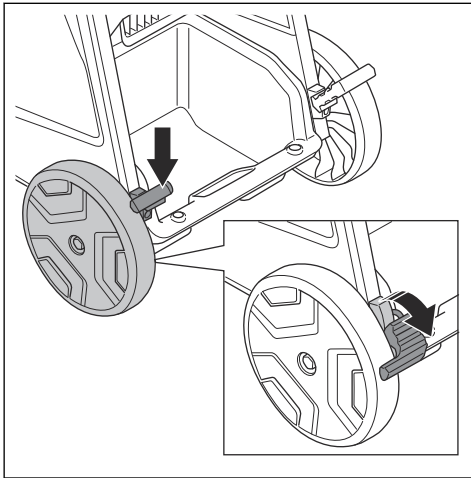
Para bloquear y desbloquear las ruedas de transporte

Para operar en una superficie con pendiente, es necesario bloquear las ruedas de transporte.



ADVERTENCIA: Las ruedas y los cojinetes deben estar limpios y sin polvo para un funcionamiento seguro. Consulte *Programa de mantenimiento en la página 50*.

- Mantenga el producto en una posición fija y segura.
- Empuje hacia abajo el freno de las ruedas en cada lado para bloquearlas.

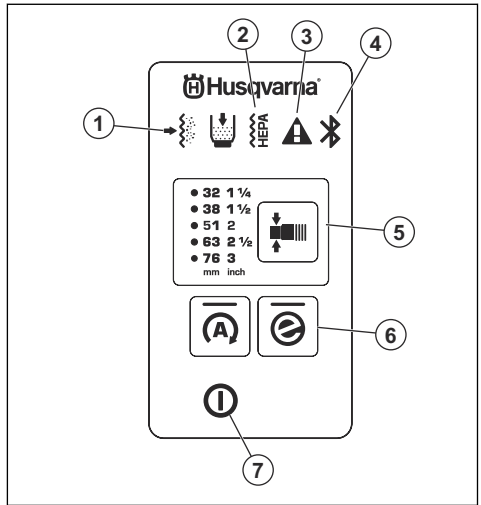


Tenga en cuenta: El DE110i H tiene solo 1 freno de rueda.

- Tire hacia arriba los frenos de las ruedas para desbloquearlas.

Funciones del panel de control

El panel de control controla y supervisa funciones y configuraciones importantes del producto. Consulte *Advertencias en el panel de control en la página 56* a fin de obtener soluciones para las advertencias.



- El prefiltro está obstruido. Consulte *Para quitar las partículas de polvo del prefiltro durante el funcionamiento en la página 47*.
- El filtro HEPA está obstruido, dañado o no está. Consulte *Advertencias en el panel de control en la página 56*.
- ¡Advertencia! Consulte *Advertencias en el panel de control en la página 56*.
- Conexión Bluetooth®. Consulte *Para utilizar la conectividad integrada con una flota en la página 43*.
- Función de cambio de diámetro de la manguera, consulte *Para seleccionar el diámetro de la boquilla de la manguera en la página 45*.
- Botón e-Flow, consulte *Función e-Flow en la página 44*.
- Botón de encendido/apagado

Función e-Flow





El producto cuenta con una función e-Flow (Flujo electrónico). Esta función ajusta automáticamente el flujo de aire a la carga de trabajo para un rendimiento óptimo. El producto siempre comienza con la última configuración utilizada.

Consulte *Funciones del panel de control en la página 44* para activar o desactivar la función.

Sistema de advertencia del flujo de aire

El flujo de aire en la manguera de aspiración debe ser superior a 20 m/s (66 pies/s).

Para obtener información sobre el flujo de aire mínimo con el diámetro de manguera seleccionado, consulte la tabla.

DE 110i H		DE 120 H PACE	
 max. Ø	 min	 max. Ø	 min
in (mm)	CFM (m ³ /h)	in (mm)	CFM (m ³ /h)
1 (27)	24 (41)	1 ½ (38)	48 (82)
1 ¼ (32)	34 (58)	1 ⅝ (42)	59 (100)
1 ½ (38)	48 (82)	2 (51)	87 (147)
1 ⅝ (42)	59 (100)	2 1/2 (63)	132 (224)
2 (51)	87 (147)	3 (76)	192 (327)

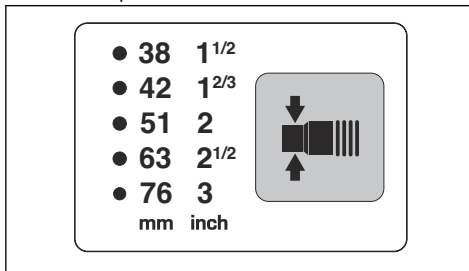
Tenga en cuenta: Si el flujo de aire es inferior a 20 m/s (66 pies/s), se encenderán la alarma de sonido y el símbolo de advertencia. Consulte *Advertencias en el panel de control en la página 56*.

Para seleccionar el diámetro de la boquilla de la manguera

Tenga en cuenta: Si no selecciona el diámetro correcto de la manguera, se encenderá el sistema de advertencia de flujo de aire.

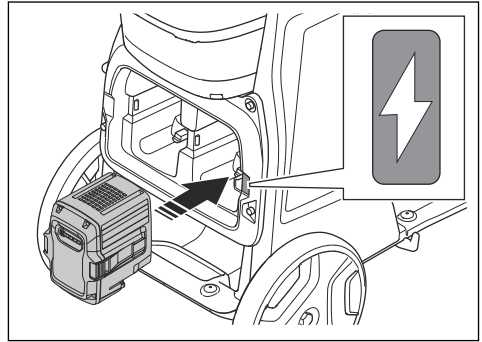
Cuando se inicia el producto, se selecciona automáticamente el último diámetro de manguera seleccionado.

- Presione el botón para seleccionar el diámetro correcto de la manguera. El LED verde indica el diámetro que ha seleccionado.



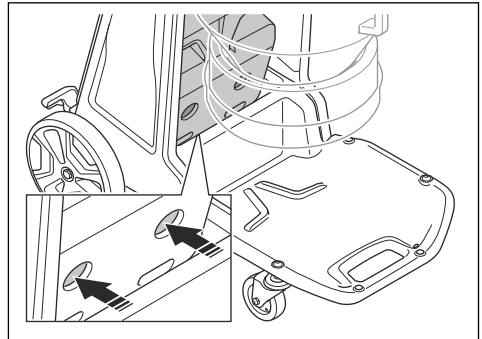
Para instalar y extraer la batería

1. Coloque la batería en el soporte para la batería. El símbolo de electricidad muestra qué soporte está energizado.

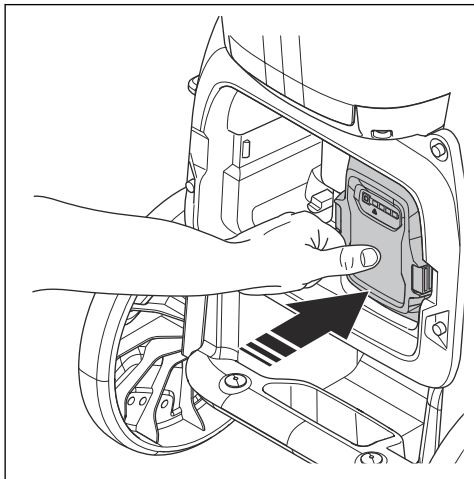


AVISO: Asegúrese de que la batería esté correctamente instalada en el compartimiento de la batería. Si la batería no se inserta con facilidad en el compartimiento de la batería, la posición no es correcta.

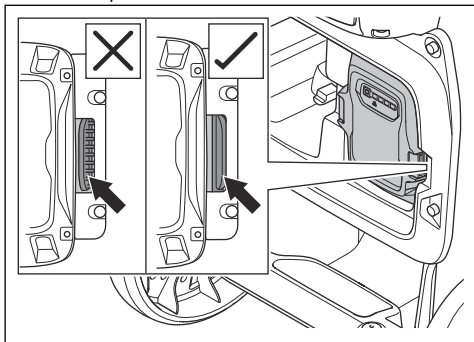
2. Retire una batería bloqueada empujando los orificios de acceso.



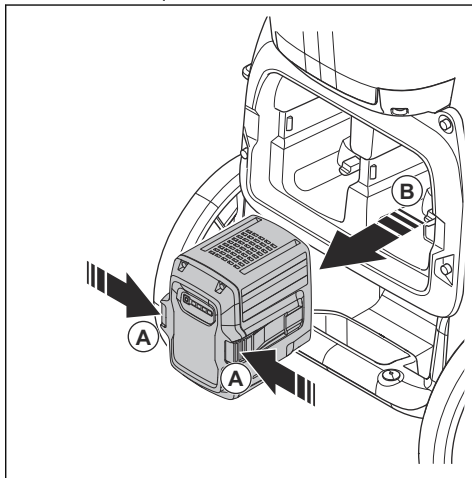
- Empuje la parte inferior de la batería hasta que escuche un clic.



- Examine el indicador de bloqueo de la batería para ver si la batería está instalada correctamente. Esto solo se aplica a DE 120 H PACE.



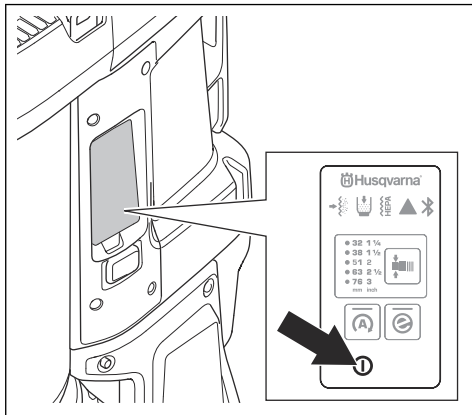
- Presione los botones de liberación de la batería (A) y retire la batería (B) de su compartimento para evitar un arranque accidental.



Para arrancar y detener

Tenga en cuenta: La succión tarda 5 segundos en alcanzar su plena capacidad desde el momento en que se enciende el producto.

- Instale la batería. Consulte *Para instalar y extraer la batería en la página 45*.
- Para encender el producto, presione el botón ENC/APAG.



- Seleccione el diámetro correcto de la manguera. Consulte *Para seleccionar el diámetro de la boquilla de la manguera en la página 45*.
- Para detener el producto, mantenga presionado el botón ENC/APAG hasta que la luz LED de color verde se apague.

5. Quite la batería del soporte de la batería. Consulte *Para instalar y extraer la batería en la página 45.*

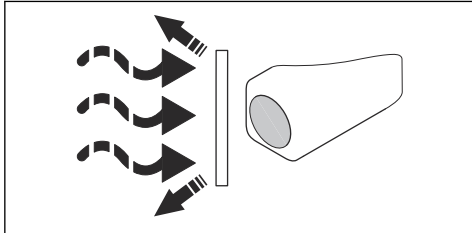
Medidor de horas

El medidor de horas muestra el tiempo total de funcionamiento del producto en horas.

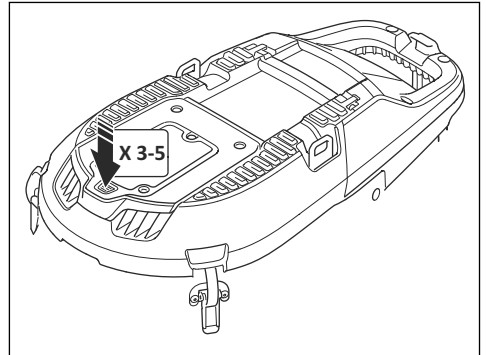
Para quitar las partículas de polvo del prefiltro durante el funcionamiento

El procedimiento de purga del filtro limpia el prefiltro de material no deseado. Realice el procedimiento en estas situaciones:

- Antes de un receso de trabajo o al final de cada día de trabajo. Si el producto está apagado durante un tiempo, da más tiempo para que el polvo caiga. Esto hace que el procedimiento de purga del filtro sea más potente.
 - Cuando la succión no es suficiente.
 - Antes de la instalación de una nueva bolsa Longopac.
 - Cuando se enciende la alarma de prefiltro obstruido.
1. Detenga el producto y deje que el polvo caiga en la bolsa Longopac.
 2. Encienda el producto. Consulte *Para arrancar y detener en la página 46.*
 3. Cierre el flujo de aire que pasa a través de la toma de aire con el tapón de la toma de aire o la válvula de admisión crear vacío.



4. Espere 5 segundos hasta que se realice el vacío y, luego, presione el botón de purga del filtro. Realice este paso de 3 a 5 veces. Es importante dejar que el producto cree vacío entre cada pulsación del botón.



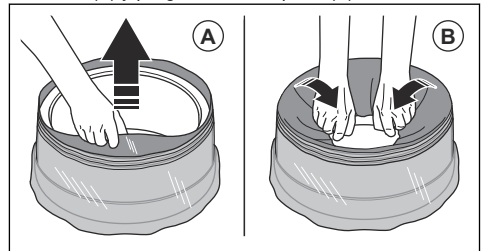
Si la succión no es suficiente después de este procedimiento, es necesario limpiar el prefiltro con agua. Consulte *Para limpiar el prefiltro con agua en la página 52.*

Para instalar un nuevo casete de bolsa Longopac

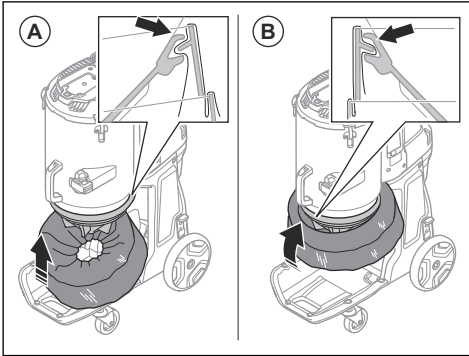


AVISO: Limpie el prefiltro antes de instalar un nuevo casete Longopac. Consulte *Para limpiar el prefiltro con agua en la página 52.*

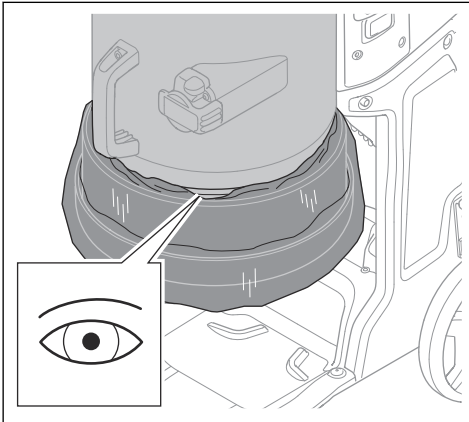
1. Coloque el casete Longopac alrededor del borde interior del soporte Longopac.
2. Quite las 4 correas después de colocar el Longopac en el soporte.
3. Tire la capa interior del casete Longopac hacia arriba (A) y pliéguelo en el soporte (B).



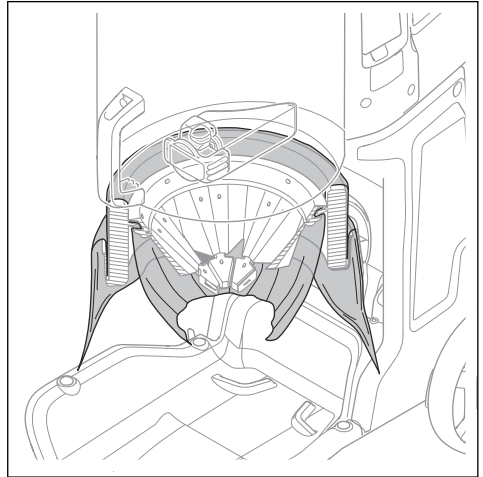
4. Adjunte el soporte Longopac en la parte trasera del recipiente (A). Luego, conecte el soporte Longopac en los lados y en la parte delantera del recipiente (B). Empuje el soporte Longopac hacia arriba hasta que oiga un clic fuerte.



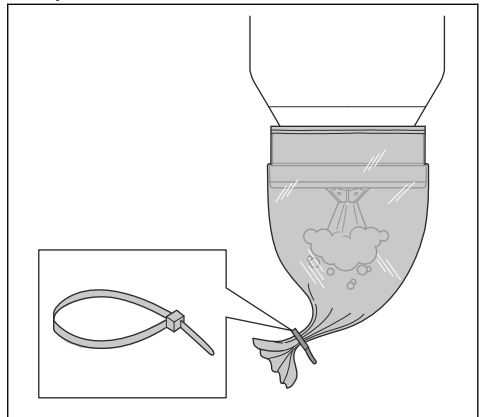
5. Asegúrese de que el Longopac esté sellado.



6. Tire la capa exterior del casete Longopac hacia abajo.



7. Cierre la parte inferior del Longopac con un sujetacables.

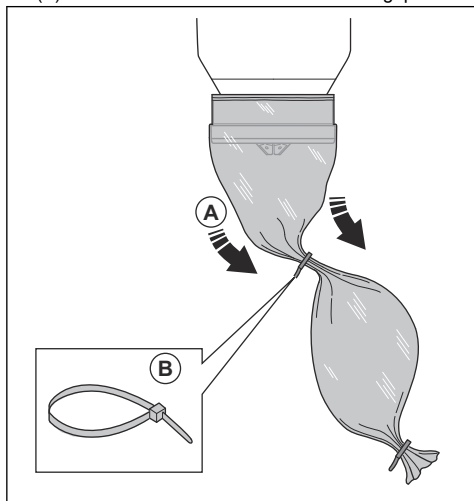


Para desechar una bolsa Longopac llena y preparar una bolsa Longopac nueva

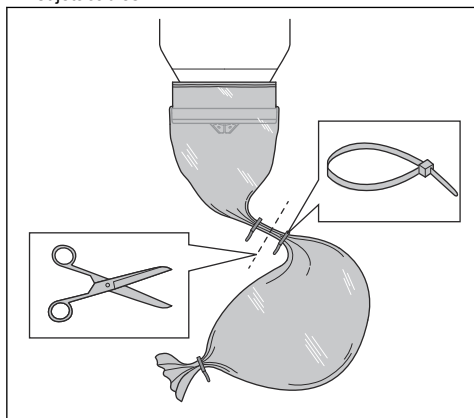


ADVERTENCIA: Levante la bolsa Longopac con precaución; una bolsa Longopac llena puede ser pesada. Asegúrese de que los sujetacables estén cerrados correctamente antes de levantar la bolsa Longopac.

1. Extraiga la bolsa Longopac (A) y fije un sujetacables (B) con el fin de cerrar la nueva bolsa Longopac.



2. Agite el polvo en la bolsa Longopac usada.
3. Coloque un sujetacables de 10 cm/3,9 pulgadas por debajo del primer sujetacables para cerrar la bolsa Longopac usada. Corte la bolsa Longopac entre los sujetacables.



4. Si la parte restante del casete de bolsa Longopac es demasiado pequeña para preparar una nueva bolsa Longopac, instale un nuevo casete de bolsa Longopac. Consulte *Para instalar un nuevo casete de bolsa Longopac en la página 47*.
5. Cumpla con las normativas locales para la eliminación de la bolsa Longopac llena.

Para hacer después de finalizar el trabajo

1. Realice el procedimiento de purga del filtro. Consulte *Para quitar las partículas de polvo del prefiltro durante el funcionamiento en la página 47*.
2. Detenga el producto, consulte *Para arrancar y detener en la página 46*.
3. Deseche la bolsa Longopac. Consulte *Para desechar una bolsa Longopac llena y preparar una bolsa Longopac nueva en la página 48*.
4. Limpie la máquina. Consulte *Para limpiar el producto en la página 51*.
5. Prepare el producto para el transporte. Consulte *Para mover el producto en distancias largas en la página 59*.

Mantenimiento

Introducción



ADVERTENCIA: Asegúrese de leer y comprender el capítulo de seguridad antes de realizar trabajos de mantenimiento en el producto.



ADVERTENCIA: Extraiga la batería antes de realizar mantenimiento en el producto.



ADVERTENCIA: El incumplimiento de un mantenimiento correcto puede disminuir el ciclo de vida útil del producto y aumentar el riesgo de accidentes. Todos

los trabajos de servicio o reparación también los debe realizar un profesional. Consulte a su taller de servicio para obtener más información.

correctamente, antes y durante el mantenimiento.

Programa de mantenimiento

Los intervalos de mantenimiento se calculan a partir del uso diario del producto. Los intervalos cambian si el producto no se utiliza a diario.



ADVERTENCIA: Asegúrese de cumplir con todas las normativas locales para eliminar el polvo peligroso

Mantenimiento	Antes de cada uso	A diario	Una vez por semana	Cuando la aspiración es baja	Cada 12 meses o cada 600 horas	Cada 24 meses o 2000 h
Realice el procedimiento de purga del filtro. Consulte <i>Para quitar las partículas de polvo del prefiltro durante el funcionamiento en la página 47.</i>	X					
Busque indicios de desgaste o daños en el cono de goma de liberación de polvo.	X					
Busque signos de desgaste, daños o conexiones sueltas de los controles antes de conectar la unidad.	X					
Revise la manguera y los conectores de la manguera.	X					
Busque indicios de desgaste o daños en las piezas de plástico.	X					
Compruebe los cáncamos.	X					
Asegúrese de que el Longopac sea el correcto y esté correctamente instalado. Consulte <i>Para instalar un nuevo casete de bolsa Longopac en la página 47.</i>		X				
Compruebe la función de purga del filtro.		X				
Verifique las ruedas. Busque si hay daños y conexiones incorrectas.			X			
Verifique los sellos de los filtros			X			
Realice el procedimiento de purga del filtro. Si la succión sigue sin ser suficiente, limpie el prefiltro con agua. Consulte <i>Para limpiar el prefiltro con agua en la página 52.</i>				X		
Reemplace el prefiltro limpio si la succión sigue sin ser suficiente. Consulte <i>Para reemplazar el prefiltro en la página 53.</i>				X		X
Reemplace el filtro HEPA.				X	X	
Reemplace el cono de goma de liberación de polvo.						X

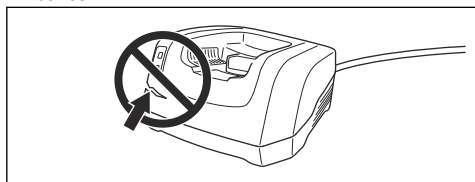
Mantenimiento	Antes de cada uso	A diario	Una vez por semana	Cuando la aspiración es baja	Cada 12 meses o cada 600 horas	Cada 24 meses o 2000 h
Reemplace las piezas de goma de limpieza del filtro.						X

Para revisar el panel de control

1. Mantenga presionado el botón On/Off hasta que la luz LED de color verde se encienda. Consulte *Funciones del panel de control en la página 44.*
2. Mantenga presionado el botón On/Off hasta que la luz LED de color verde se apague.

Para comprobar el cargador de la batería

1. Asegúrese de que el cargador de la batería y el cable de la fuente de alimentación no estén dañados. Observe que no haya grietas ni otros daños.

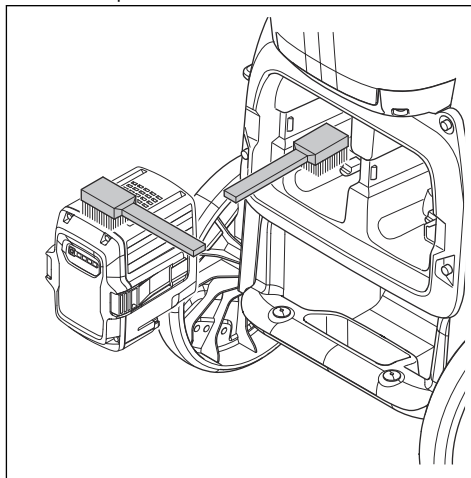


Para revisar la batería y el compartimiento de la batería

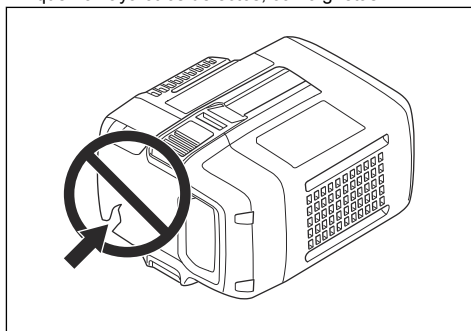


AVISO: No limpie con agua la batería o el cargador de batería.

1. Limpie la batería y el compartimiento de la batería con un cepillo de cerdas suaves.



2. Limpie las ranuras de refrigeración y los conectores de la batería.
3. Asegúrese de que la batería no esté dañada y de que no haya otros defectos, como grietas.



Para limpiar el producto

El funcionamiento puede causar contaminación en todas las piezas del producto y en todos los equipos usados. Por lo tanto, es necesario limpiar todas las piezas del producto y todos los equipos usados de forma completa y cuidadosa.



ADVERTENCIA: Desconecte el producto de la fuente de alimentación.



ADVERTENCIA: Limpie el producto antes de sacarlo del área de trabajo. El polvo restante en el producto puede salir al aire y provocar riesgos para la salud.

- Utilice el equipo de protección personal. Consulte *Equipo de protección personal en la página 40*.
- No limpie el producto con una hidrolavadora ni aire comprimido.
- Limpie la superficie externa con un paño húmedo.
- No use agua en componentes eléctricos.
- Limpie los filtros como se indica en *Para limpiar el prefiltro con agua en la página 52* y *Para reemplazar el filtro HEPA en la página 53*.
- Después de realizar el mantenimiento, coloque las piezas desechadas en bolsas de plástico. Consulte las normativas locales para conocer el procedimiento correcto.
- Si utiliza agua para limpiar el producto, quite el prefiltro y el Longopac antes de limpiar. Asegúrese también de que no entre agua en el filtro HEPA.

Para limpiar el prefiltro con agua



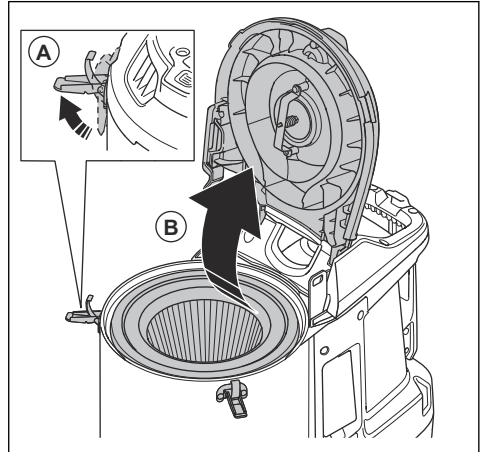
AVISO: No utilice una hidrolavadora ni aire comprimido para limpiar el prefiltro. No golpee el prefiltro con fuerza para limpiarlo.



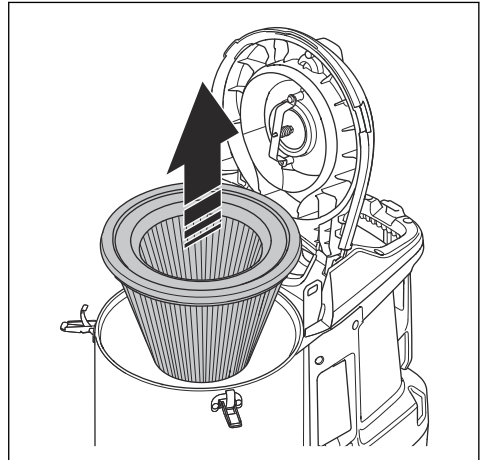
AVISO: No permita que se seque bajo la luz solar directa. Los sellos se secarán.

Tenga en cuenta: Limpiar con agua disminuirá gradualmente la eficiencia del filtro.

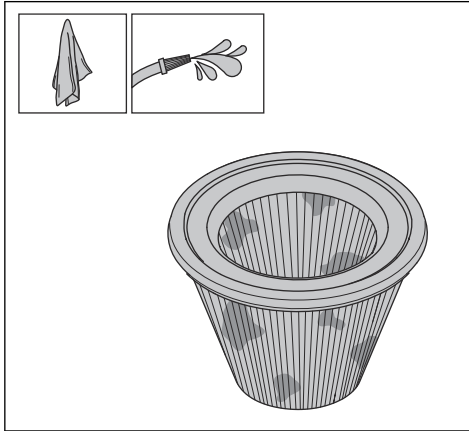
1. Afloje las trabas de la cubierta (A) y abra la cubierta del prefiltro (B).



2. Quite el prefiltro.



3. Limpie el prefiltro con agua corriente desde la superficie interior del prefiltro.



AVISO: La presión del agua no debe ser superior a 4 bares.



AVISO: Evite golpear o arrastrar elementos sobre la superficie del filtro, ya que dañará el filtro.

4. Deje que el prefiltro se seque por completo.



AVISO: El prefiltro debe estar completamente seco antes de instalarlo en el alojamiento.

5. Instale el prefiltro, cierre la cubierta del prefiltro y apriete las trabas de la cubierta.

Si el prefiltro no se puede limpiar por completo o si está dañado, se debe reemplazar. Consulte *Para reemplazar el prefiltro en la página 53*.

Sustitución del filtro



ADVERTENCIA: Utilice el equipo de protección personal. Consulte *Equipo de protección personal en la página 40*. Se puede liberar polvo peligroso al aire durante el reemplazo del filtro.



ADVERTENCIA: Detenga el producto y desconecte la fuente de alimentación antes de realizarle mantenimiento.

Para reemplazar el prefiltro

1. Quite el prefiltro. Consulte *Para limpiar el prefiltro con agua en la página 52*.

2. Coloque el prefiltro cuidadosamente en una bolsa de plástico.
3. Deseche la bolsa de plástico correctamente. Consulte las normativas locales.
4. Instale el prefiltro nuevo.

Si la succión no es suficiente cuando se instala un prefiltro nuevo, es necesario reemplazar el filtro HEPA. Consulte *Para reemplazar el filtro HEPA en la página 53*.

Para reemplazar el filtro HEPA

El filtro HEPA no se puede limpiar. Siempre es necesario reemplazarlo por un filtro HEPA nuevo. Utilice únicamente los filtros HusqvarnaHEPA.



ADVERTENCIA: Solo se permite que un centro de servicio autorizado o una autoridad autorizada reemplace el filtro HEPA.



ADVERTENCIA: Siempre utilice equipo de protección personal, consulte *Equipo de protección personal en la página 40*.



ADVERTENCIA: Las partículas en el filtro HEPA son peligrosas para la salud.



ADVERTENCIA: Verifique que no haya orificios en el filtro HEPA. Un filtro HEPA dañado es un riesgo para la salud.

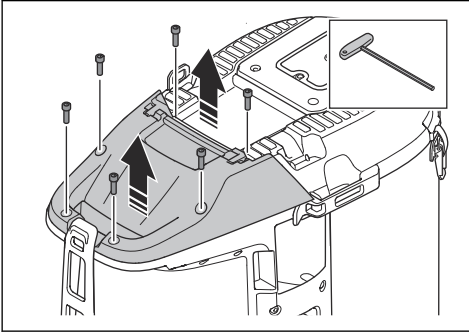


ADVERTENCIA: No instale un filtro HEPA usado. Si instala un filtro HEPA usado se pueden producir fugas y una menor eficiencia de filtración.

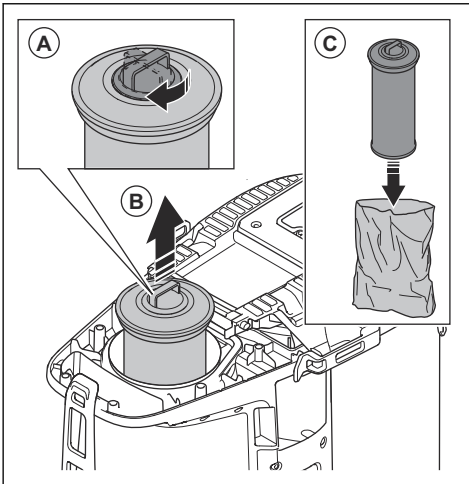


AVISO: No toque la superficie interior del filtro HEPA. Esto puede provocar daños al filtro HEPA.

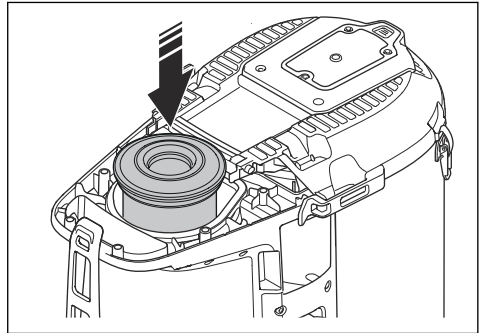
1. Afloje los seis tornillos y retire la cubierta del filtro HEPA.



2. Conecte la tapa contra el polvo (A) y tire hacia afuera el filtro HEPA. Colóquelo en una bolsa de plástico limpia (C).



3. Deseche la bolsa de plástico correctamente. Consulte las normativas locales.
4. Instale el nuevo filtro HEPA. Asegúrese de que el filtro HEPA se empuje a la posición final.



5. Instale la cubierta del filtro HEPA y apriete los seis tornillos.

Solución de problemas

Programa de solución de problemas

Problema	Causa	Solución
El motor se detiene inmediatamente después del arranque o no arranca.	No hay un medio de alimentación.	Conecte la batería al producto.
	Hay una falla en la batería.	Realice una revisión de la batería o reemplace la batería si es necesario. Solicite a un taller de servicio autorizado que repare el producto.
	El LED verde parpadea en la batería.	Voltaje de batería bajo. Cargue la batería.
	El filtro HEPA está dañado o no está instalado.	Reemplace o instale el filtro HEPA.
	Hay un corto circuito en el producto.	Solicite a un taller de servicio autorizado que repare el producto.
	Tensión demasiado alta en la fuente de alimentación.	Asegúrese de utilizar la fuente de alimentación correcta.
	Temperatura ambiente demasiado alta.	Asegúrese de que la temperatura ambiente esté en el rango especificado cuando utilice el producto.
	El ventilador está roto o desconectado.	Solicite a un taller de servicio autorizado que repare el producto.
El motor está encendido, pero no hay succión.	La manguera de extracción de polvo no está conectada correctamente.	Conecte la manguera de extracción de polvo.
	La manguera de extracción de polvo está bloqueada.	Limpie la manguera de extracción de polvo.
	No hay Longopac.	Instale un casete Longopac.
	El Longopac no se cierra con un sujetacables.	Conecte un sujetacables.

Problema	Causa	Solución
La succión no es suficiente.	Tensión demasiado baja en la fuente de alimentación.	Asegúrese de utilizar la fuente de alimentación correcta.
	Hay un orificio en la manguera extractora de polvo.	Reemplace la manguera extractora de polvo.
	El prefiltro está obstruido.	Quite las partículas de polvo del prefiltro. Límpielo o reemplácelo si es necesario.
	El filtro HEPA está obstruido.	Reemplace el filtro HEPA. Consulte <i>Para reemplazar el filtro HEPA en la página 53</i> .
	La cubierta superior está suelta.	Cierre completamente la cubierta superior.
	Los sellos están rotos	Reemplace los sellos.
El polvo se libera al aire desde el motor.	Los filtros están mal instalados o dañados.	Instale los filtros correctamente. Cambie los filtros dañados.
El producto produce ruidos inusuales.	N/A	Solicite a un taller de servicio autorizado que repare el producto.



Advertencias en el panel de control



AVISO: No utilice el producto si se enciende la luz roja. Si la solución inicial no elimina el error, hable con un taller de

servicio aprobado antes de volver a operar el producto.

Símbolo	Fuerza de	Causa	Solución
	La señal del zumbador y la luz roja se encienden.	El prefiltro está obstruido.	Realice un procedimiento de purga del filtro, consulte <i>Para quitar las partículas de polvo del prefiltro durante el funcionamiento en la página 47</i> .
		Se ha conectado o seleccionado una manguera incorrecta en el panel de control.	Conecte la manguera correcta o seleccione la dimensión de manguera correcta en el panel de control. Consulte <i>Para seleccionar el diámetro de la boquilla de la manguera en la página 45</i> .
		La manguera está dañada o comprimida.	Reemplace la manguera.
		La manguera está obstruida.	Despeje la manguera.
	La luz roja parpadea.	La manguera de vacío principal está desconectada.	Solicite a un taller de servicio autorizado que repare el producto.
	La luz roja se enciende.	Falta el filtro HEPA, está lleno o dañado.	Revise el filtro HEPA y reemplácelo si es necesario. Consulte <i>Para reemplazar el filtro HEPA en la página 53</i> .

Símbolo	Fuerza de	Causa	Solución
	La luz roja parpadea.	Error de la batería.	Solicite a un taller de servicio autorizado que repare el producto.
	La luz roja se enciende.	No se detectó comunicación por cable.	Solicite a un taller de servicio autorizado que repare el producto.
		La unidad de control está dañada.	Solicite a un taller de servicio autorizado que repare el producto.
		Se utilizó una batería incorrecta.	Utilice la batería correcta.
		¡Advertencia!	Observe el registro de operación de su aplicación de flota Husqvarna o hable con un taller de servicio aprobado.
	La luz roja se enciende.	El filtro HEPA está casi lleno.	Reemplace el filtro HEPA si es necesario.
	La luz roja se enciende.	El filtro HEPA está lleno.	Reemplace el filtro HEPA.

Códigos de error

Código de error	Error	Descripción de la pieza	Causas probables	Acciones
2	Falta el filtro HEPA.	El producto se apaga/no se inicia. + Luz de advertencia en la HMI. + Símbolo HEPA en la HMI.	Falta el filtro HEPA o está dañado.	Monte o reemplace el filtro HEPA.
3	Baja tensión de alimentación.	Bajo rendimiento (bajo flujo de aire/vacío).	Tensión demasiado baja en la red/fuente de alimentación.	Asegúrese de utilizar la red/fuente de alimentación correcta.
4	Alta tensión de alimentación.	El producto se apaga/no se inicia. + Luz de diodo de advertencia en la HMI.	Tensión demasiado alta en la red/fuente de alimentación.	Asegúrese de utilizar la red/fuente de alimentación correcta.
			Se utilizó una batería incorrecta.	Utilice la batería correcta.
5	Error del sensor principal de presión.	La luz del prefiltro parpadea en rojo.	La manguera de vacío está desconectada o bloqueada.	Comuníquese con un taller de servicio autorizado.
			La unidad de control está dañada.	
6	Temperatura de la PCBA demasiado alta.	El producto se apaga/no se inicia. + Luz de diodo de advertencia en la HMI.	Temperatura ambiente demasiado alta.	No utilice el producto fuera del rango de temperatura especificado.

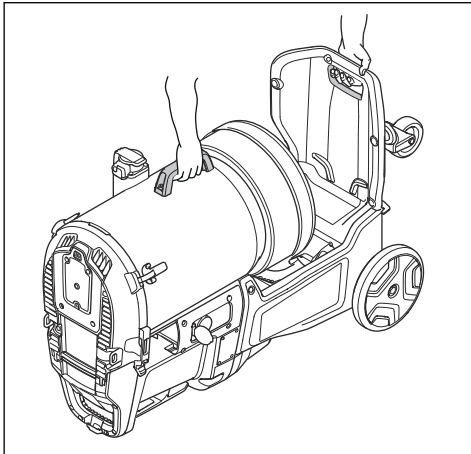
Código de error	Error	Descripción de la pieza	Causas probables	Acciones
7	Funcionamiento defectuoso del ventilador.	El producto se apaga/no se inicia.	El ventilador está dañado o desconectado.	Comuníquese con un taller de servicio autorizado.
		+ Luz de diodo de advertencia en la HMI.	La unidad de control está dañada.	
9	No se detectó comunicación con un cable.	El producto se apaga/no se inicia. + Luz de diodo de advertencia en la HMI.	Cable desconectado o dañado.	Comuníquese con un taller de servicio autorizado.

Transporte, almacenamiento y eliminación de residuos

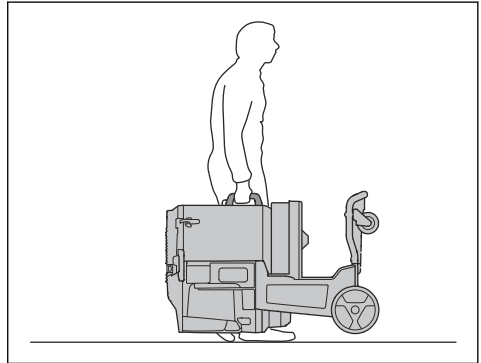
Para mover el producto en distancias cortas

Asegúrese de que la válvula de admisión esté cerrada. Asegúrese de que las tapas contra el polvo estén en las mangueras.

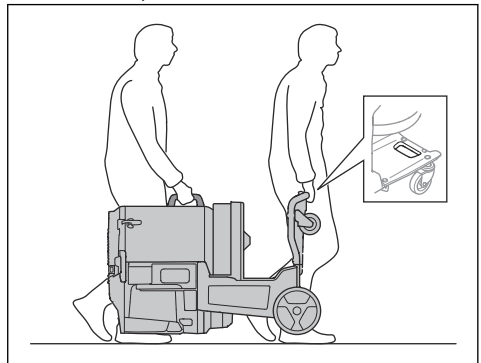
1. Coloque el producto en el piso.



2. Levante el producto manualmente.



3. Si 2 personas levantan el producto, asegúrese de utilizar los 2 puntos de elevación.

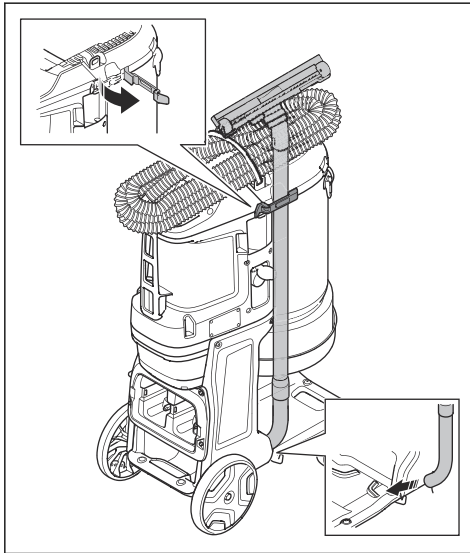


Para mover el producto en distancias largas

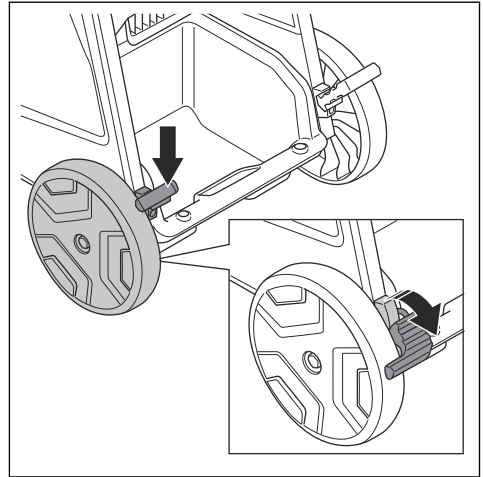
Asegúrese de utilizar un vehículo cerrado durante el transporte del producto.

Asegúrese de que la válvula de admisión esté cerrada. Asegúrese de que las tapas contra el polvo estén en las mangueras.

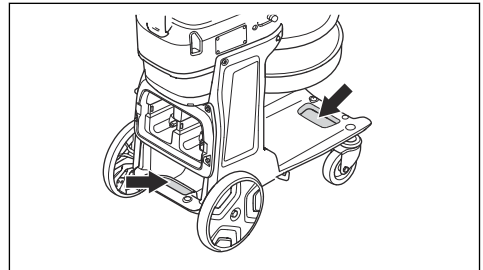
1. Asegúrese de que el Longopac esté instalado en el producto.
2. Asegúrese de que la bolsa Longopac está vacía.
3. Conecte firmemente el cable de alimentación, la manguera extractora de polvo y el tubo de la manija al producto.



4. Trabe las ruedas de transporte.



5. Levante el producto, consulte *Para levantar el producto en la página 59*.
6. Fije el producto de manera segura al vehículo de transporte para evitar daños y accidentes. Utilice los puntos de amarre.



Para levantar el producto



ADVERTENCIA: Asegúrese de que el equipo de elevación y las correas de elevación tengan la especificación correcta para levantar el producto de forma segura. La placa de identificación del producto muestra el peso del producto, consulte *Placa de identificación en la página 35*.



ADVERTENCIA: Obtenga ayuda si no está seguro de cómo levantar equipo pesado.

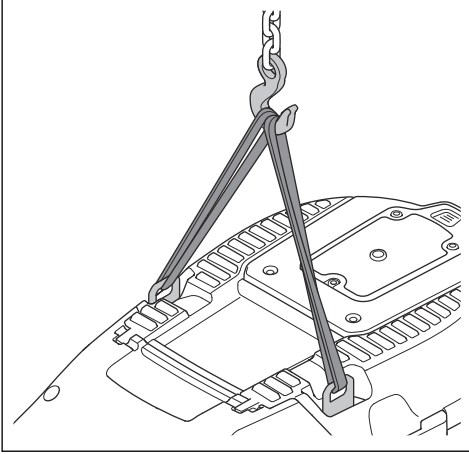


ADVERTENCIA: No levante el producto si tiene polvo en el tanque o en la bolsa. No levante el producto con peso agregado dentro del producto o sobre él.



ADVERTENCIA: No levante el producto con las baterías instaladas.

1. Realice el procedimiento de purga del filtro antes de levantar el producto. Consulte *Para quitar las partículas de polvo del prefiltro durante el funcionamiento en la página 47.*
2. Para levantar el producto con seguridad, coloque correas a través de los cáncamos.



ADVERTENCIA: No utilice ganchos metálicos, cadenas u otros equipos de elevación con bordes irregulares que puedan dañar el cáncamo. Solo se permiten correas de levantamiento blandas.

Almacenamiento del producto



AVISO: Coloque el producto en un lugar de almacenamiento en interiores lejos de elementos exteriores.

- Guarde el producto en un almacenamiento donde la temperatura ambiente esté entre -10 °C/14 °F y 40 °C/104 °F.
- Antes de almacenar, realice el procedimiento de purga del filtro y deseche el Longopac con el material recolectado.
- Desconecte el producto de la fuente de alimentación.
- Ponga el producto en un lugar seco y sin escarcha.
- Ponga el producto en un área cerrada. No deje que niños o personas no aprobadas se acerquen al producto.

Eliminación del producto

- Obedezca las regulaciones vigentes y requisitos de reciclaje locales.
- Cuando el producto ya no se use, envíelo al distribuidor Husqvarna o deséchelo en un lugar de reciclaje.

Datos técnicos

Datos técnicos

Datos	DE 110i H	DE 120 H PACE
Fuente de alimentación	Batería	Batería
Tensión nominal, V	36	94
Máxima potencia, W	900	2200
Corriente máxima, A	20	17
Flujo de aire máximo, cfm / m ³ /h	127 / 215	259 / 450
Vacío máximo, psi/kPa/in H ₂ O	2,5/17/68	2,9/22/88
Salida auxiliar	No	
Área del prefiltro, m ² /ft ²	15,4 / 1,4	29,5 / 2,7
Eficiencia del filtro HEPA	HEPA 13	
Área total HEPA, pies ² /m ² HEPA 13	12,7 / 1,2	25,4 / 2,7
Sistema de recolección de polvo, tipo	Longopac	
Mecanismo de limpieza del filtro	Jet Pulse	
Dimensiones largo x ancho x alto, in / mm	670 × 400 × 1000/26,4 × 15,7 × 39,4	815 × 542 × 1125/32,1 × 21,3 × 44,3
Peso, lb/kg	57 / 26	90 / 41
Nivel de potencia acústica medido en L _{WA} , dB(A) ⁴	83,6	97,3
Nivel de presión sonora L _{PA} en el oído del operador, dB(A) ⁵	68,3	81,6
Nivel de vibración a _h , m/s ²⁶	≤2,5	
Clase de protección	IP44	

Conectividad integrada

Tenga en cuenta: Esta sección solo se aplica a los productos suministrados con conectividad integrada.

Espectro de radio de tecnología BLE	
Bandas de frecuencia para la herramienta, GHz	2,402-2,480

⁴ Emisiones de ruido en el medioambiente medidas como potencia acústica (L_{WA}) de conformidad con la norma EN 60335-2-69. Incertidumbre Kwa 2dB.

⁵ Nivel de presión sonora de acuerdo con EN 60335-2-69. Incertidumbre KPA 2dB.

⁶ Nivel de vibración en conformidad con la norma EN 60335-2-69. Los datos informados en cuanto al nivel de vibración tienen una dispersión estadística típica (desviación estándar) de 1 m/s².

Espectro de radio de tecnología BLE	
Potencia máxima de radiofrecuencia transmitida, dBm/mW	4/2,5

Accesorios

Baterías homologadas para el producto

Producto	DE 110i H		DE 120 H PACE	
Batería	BLi 200	BLi 300	100-B380X PACE	100-B750X PACE
Tipo	iones de litio	iones de litio	iones de litio	iones de litio
Capacidad de la batería, Ah	5,2	9,4	4	8
Voltaje nominal, V	36	36	94	94
Peso, kg/lb	1,3 / 2,9	1,9 / 4,2	3,1 / 6,1	5,1 / 11,4

Cargadores de batería homologados para el producto

Producto	DE 110i H		DE 120 H PACE	
Cargador de la batería	QC 330	QC 500	100-C900X PACE	100-C1800X PACE
Voltaje de red, V	100-240	100-240	100-240	100-240
Frecuencia, Hz	50-60	50-60	50-60	50-60
Potencia, W	330	500	900	1800

Garantía

Se garantiza que el nuevo equipo comercializado por Husqvarna Construction, SE- 561 82 Huskvarna, SWEDEN no tiene defectos de fabricación en el uso normal durante un período de un (1) año a partir de la fecha de compra del comprador original*. Los fabricantes de componentes ofrecen períodos de garantía por separado. Llame al departamento de Servicios técnicos al (800) 365-5040 para obtener información completa.

La obligación de Husqvarna conforme a esta garantía se limita expresamente al reemplazo o reparación en Husqvarna AB, o en una instalación de servicio designada por nosotros, de dicha pieza o piezas que según la inspección deberán catalogarse como defectuosas.

Esta garantía no se aplica a los defectos causados por daños, uso no razonable o reparaciones defectuosas realizadas por otras personas o defectos causados por no haber realizado un mantenimiento razonable mientras se encontraba en posesión del consumidor. Además, la garantía será nula si el producto o cualquiera de sus componentes se encuentra alterado o modificado por el consumidor o si el producto se utiliza de una manera inadecuada o con una hoja no recomendada por el fabricante.

(*) Husqvarna ofrece 1 año de garantía en todos los equipos con las siguientes excepciones:

- Sierras planas grandes: 2 años (sierras planas con motor diésel o gasolina >30 hp)
- Motores de taladro de centrado DM 280/DM 340/DM 650: 2 años
- PG 530/PG 680/PG 820 (todas las variantes, incluido RC): 2 años o 1000 horas (cualquiera de los eventos que ocurra primero)
- Embrague de la cuchilla de sierras planas grandes: 6 meses

Los materiales desgastados no están cubiertos por la garantía:

- Correas
- Cojinetes**
- Ruedas del carro
- Filtros
- Ruedas**
- Almohadillas desgastadas
- Bujías

(**) Excepto el sistema IntelliSeal

(***) Excepto deslaminación

Marcas comerciales

La marca denominativa y los logotipos de *Bluetooth®* son marcas comerciales de *Bluetooth SIG, inc.* y cualquier uso de dichas marcas por Husqvarna está sometido a un acuerdo de licencias.

Table des matières

Introduction.....	65	Transport, entreposage et mise au rebut.....	91
Sécurité.....	68	Données techniques.....	94
Fonctionnement.....	75	Accessoires.....	95
Entretien.....	82	Garantie.....	96
Dépannage.....	88	Marques déposées.....	97

Introduction

Responsabilité du propriétaire



AVERTISSEMENT : Des opérations de coupe, de surfacage ou de perçage du béton ou de la pierre, particulièrement lorsque les conditions sont sèches, génèrent de la poussière qui contient souvent de la silice. La silice est un composant de base du sable, du quartz, de la brique de l'argile, du granit et de nombreux autres pierres et minéraux. L'exposition à une quantité excessive de ces poussières peut entraîner :

une maladie respiratoire (réduisant la capacité à respirer), notamment la bronchite chronique, la silicose et la fibrose pulmonaire causée par l'exposition à la silice. Ces maladies peuvent être fatales;

Des irritations et éruptions cutanées.

Le cancer, selon le NTP (National Toxicology Program) et le CIRC (Centre international de Recherche sur le Cancer).

Prendre les précautions suivantes :

Éviter l'inhalation et le contact cutané avec les poussières, brouillards et fumées.

Porter et veiller à ce que les personnes à proximité portent un dispositif de protection respiratoire approprié, tel un masque antipoussière filtrant les particules microscopiques. (Voir OSHA 29 CFR Part 1926.1153)

Pour réduire au minimum les émissions de poussière, utiliser un extracteur de poussière approprié.

Il est de la responsabilité du propriétaire ou de l'employeur de s'assurer que l'utilisateur possède les

connaissances nécessaires pour manipuler le produit en toute sécurité. Les superviseurs et les utilisateurs doivent avoir lu et compris le manuel d'utilisation. Ils doivent être conscients de ce qui suit :

- Les consignes de sécurité relatives au produit.
- L'éventail d'applications du produit et ses limites.
- La manière dont le produit doit être utilisé et entretenu.

Des règlements locaux ou nationaux pourraient limiter l'utilisation de ce produit. Découvrir les règlements en vigueur où le travail est exécuté avant d'utiliser le produit.

Description du produit

Le produit est un extracteur de poussière avec batterie. L'air chargé de poussière passe par le tuyau d'aspiration dans la soupape d'admission. Le produit sépare les particules de poussière de l'air. Les particules tombent dans le sac en plastique situé au bas du produit.

Utilisation prévue

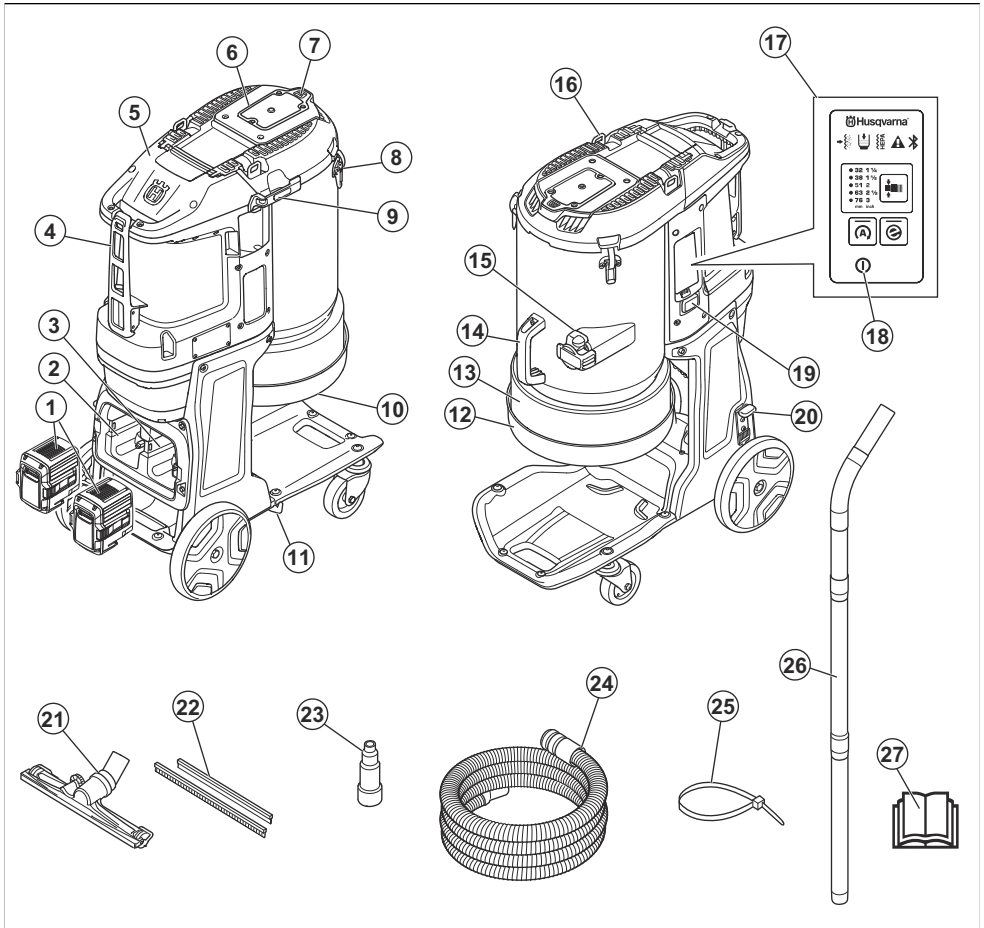


AVERTISSEMENT : Ne pas récupérer les sources d'inflammation, les particules chaudes, les liquides, les matières explosives et les particules instables ou pyrophoriques.

Ce produit est réservé à des usages professionnels. Le produit est utilisé pour récupérer et enlever les matériaux secs des machines et des appareils. Le matériau peut être dangereux et nocif pour la santé, se reporter à la classe de poussière H de la norme EN 60335-2-69.

Ne pas utiliser l'outil pour d'autres tâches. Utilisez la machine seulement avec des accessoires homologués par le fabricant.

Présentation de l'appareil



- | | |
|---|--|
| 1. Batterie (accessoire) | 16. Anneau de levage |
| 2. Rangement pour la batterie de rechange | 17. Panneau de commande, voir <i>Fonctions du panneau de commande à la page 77</i> |
| 3. Support de batterie | 18. Marche-arrêt |
| 4. Attache pour le tuyau de l'extracteur de poussière | 19. Compteur horaire |
| 5. HEPA couvercle de filtre | 20. Frein de roue |
| 6. Couvercle de pré-filtre | 21. Buse de sol |
| 7. Bouton de vidange du filtre | 22. Bandes en caoutchouc |
| 8. Verrou de couvercle | 23. Buse de tuyau (DE 110i H) |
| 9. Fixation à bascule de tube de poignée | 24. Tuyau d'extraction de poussière |
| 10. Cône en caoutchouc anti-poussière | 25. Attache de câble |
| 11. Support de tube de poignée | 26. Tube de poignée |
| 12. Support Longopac | 27. Manuel de l'opérateur |
| 13. Longopac | |
| 14. Poignée | |
| 15. Verrouillage de flexible | |

Symboles figurant sur le produit



AVERTISSEMENT : Ce produit peut être dangereux et causer des blessures très graves, ou même mortelles, à l'utilisateur et à d'autres personnes. Faire attention et utiliser le produit correctement.



Lire attentivement le manuel et veiller à bien comprendre les directives avant d'utiliser l'outil.



Porter des protections pour les oreilles, les yeux et les voies respiratoires. Se reporter à la section *Équipement de protection personnelle* à la page 73.



Ne pas utiliser de crochets métalliques, de chaînes ou d'autres équipements de levage aux bords rugueux qui pourraient endommager l'anneau de levage. Utiliser uniquement des courroies de levage souples.



Cet appareil est classé H, certifié par un tiers selon la norme IEC-60335-2-69, EN-60335-2-69 Annexe AA

Cet appareil contient des poussières nocives. Les opérations à vide et les opérations de maintenance, y compris le retrait des conteneurs de collecte de poussière, ne peuvent être effectuées que par des experts dotés d'équipements de protection. Ne jamais faire fonctionner l'extracteur de poussière sans le système de filtration complet.



Le produit n'est pas un déchet ménager. Il faut l'envoyer dans un centre de recyclage pour équipements électriques et électroniques.



Si le produit est doté de la technologie sans fil Bluetooth®. Le symbole Bluetooth® sera marqué sur l'étiquette du nom du produit. Se reporter à la section *Bluetooth® technologie sans fil* à la page 76.

Remarque : Les autres symboles et autocollants apposés sur le produit se rapportent aux exigences en matière de certification pour certains marchés.

Symboles figurant sur la batterie et sur le chargeur de batterie



Le produit ou l'emballage du produit n'est pas un déchet domestique.



Il faut envoyer le produit dans un centre de recyclage pour équipements électriques et électroniques.



Ne pas plonger la batterie dans l'eau.



Maintenir la batterie à l'écart de la lumière du soleil, de la chaleur et des flammes nues.

IPX4

Le produit est protégé contre les éclaboussures d'eau.



Mise à la terre fonctionnelle



Transformateur fiable



Utiliser et garder le chargeur de batterie seulement dans un endroit clos.



Double isolation.

Connectivité intégrée

La solution de gestion des actifs dans le nuage Husqvarna Fleet Services™ donne au gestionnaire de parc une vue d'ensemble de tous les produits connectés par l'intermédiaire de capteurs intégrés ou de capteurs du marché secondaire. La position de la passerelle ou du téléphone intelligent peut être utilisée pour indiquer l'emplacement des produits connectés. Les capteurs enregistrent des données comme la durée de fonctionnement, les intervalles d'entretien, etc. Pour obtenir de plus amples

renseignements sur la solution de gestion des actifs dans le nuage Husqvarna Fleet Services™, télécharger l'application iOS ou Android Husqvarna Fleet Services sur <https://apps.apple.com/se/app/husqvarna-fleet-services/id1334672726> ou <https://play.google.com/store/apps/details?id=com.husqvarna.hfsmobile&hl=en>. Pour obtenir de plus amples renseignements, communiquer avec le représentant des ventes Husqvarna.

Certains types de ce produit sont connectés au moyen du capteur Husqvarna Fleet Services™ intégré qui dispose de la fonction Bluetooth Low Energy (BLE). Pour obtenir de plus amples renseignements sur son utilisation, se reporter à *Pour utiliser la connectivité intégrée avec la flotte à la page 76*. Pour obtenir des renseignements sur le spectre radio de la technologie BLE, se reporter à la section *Connectivité intégrée à la page 94*. Pour les limites de conformité concernant Husqvarna Fleet Services™, se reporter à *Limites de conformité à la page 68*.

Limites de conformité

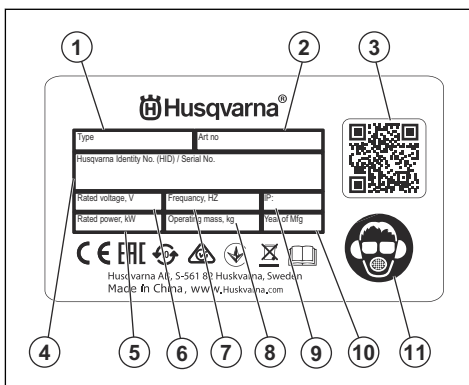
Remarque : Les modifications apportées à cet équipement non expressément approuvées par Husqvarna peuvent annuler la conformité de l'équipement aux règlements de la FCC (Commission fédérale des communications américaine) et limiter le droit de l'utilisateur à utiliser l'équipement.

Remarque : Cet appareil est conforme à l'article 15 de la réglementation FCC et à la norme RSS d'Industrie Canada pour les appareils exempts de licence.

Son utilisation est soumise aux deux conditions suivantes :

- Cet appareil ne doit pas causer d'interférences nuisibles
- Cet appareil doit accepter toute autre interférence, y compris les interférences pouvant causer un fonctionnement non désiré

Plaque signalétique



1. Modèle
2. Numéro d'article
3. Code à balayer
4. Numéro de série
5. Puissance nominale
6. Tension nominale
7. Fréquence
8. Poids
9. Classe IP
10. Année de production
11. Équipement de protection personnelle

Responsabilité concernant le produit

Comme indiqué dans les lois en vigueur sur la responsabilité concernant les produits, nous ne serons pas tenus responsables des dommages que notre produit causerait dans les situations suivantes :

- Le produit n'est pas réparé de façon adéquate.
- Le produit est réparé avec des pièces qui ne sont pas fournies ou homologuées par le fabricant.
- Le produit comprend un accessoire qui n'est pas fourni ou homologué par le fabricant.
- Le produit n'est pas réparé par un centre de service après-vente agréé ou par une autorité homologuée.

Sécurité

Définitions relatives à la sécurité

Les avertissements, recommandations et remarques soulignent des points du manuel qui revêtent une importance particulière.



AVERTISSEMENT : Indique la présence d'un risque de blessure ou de décès de l'utilisateur ou de personnes à proximité si les instructions du manuel ne sont pas suivies.



MISE EN GARDE : Indique la présence d'un risque de dommages au produit, à d'autres appareils ou à la zone adjacente si les instructions du manuel ne sont pas suivies.

Remarque : Utilisé pour donner des renseignements plus détaillés qui sont nécessaires dans une situation donnée.

Consignes générales de sécurité



AVERTISSEMENT : Lire les messages d'avertissement qui suivent avant d'utiliser le produit.



AVERTISSEMENT : Les produits PACE contiennent des tensions dangereuses à l'intérieur du boîtier. Afin d'éviter tout risque d'électrocution : Ne pas essayer d'ouvrir le produit. Ne pas faire fonctionner un produit endommagé. Ne pas brancher une batterie PACE à un produit endommagé. Si le produit est endommagé pendant son utilisation, retirer la batterie PACE du produit et contacter le centre de service Husqvarna.

- Ce produit est un outil dangereux s'il est utilisé de façon insouciante ou inappropriée. Cet outil peut causer des blessures graves, ou même mortelles, à l'utilisateur et à d'autres personnes. Il est obligatoire de lire et de comprendre le contenu de ce manuel d'utilisation avant d'utiliser l'outil.
- Ne pas autoriser une personne (notamment les enfants) aux capacités physiques, sensorielles ou mentales limitées à utiliser le produit, sauf si elles ont bénéficié de la surveillance ou des instructions concernant l'utilisation du produit par une personne responsable de leur sécurité.
- S'assurer que vous avez de l'expérience et des connaissances sur le produit avant de l'utiliser.
- S'assurer que toutes les commandes sont hors tension avant de débrancher la batterie.
- Se conformer à toutes les lois et réglementations en vigueur.
- L'utilisateur et l'employeur de l'utilisateur doivent connaître et prévenir les risques liés à l'utilisation du produit.
- Ne pas laisser une personne utiliser le produit à moins qu'elle a lu et compris le contenu de ce manuel d'utilisation.
- Ne pas faire fonctionner le produit sans avoir reçu une formation relative à son fonctionnement. S'assurer que tous les utilisateurs reçoivent une formation.
- Ne pas laisser un enfant utiliser l'outil.
- Seules les personnes autorisées peuvent utiliser le produit.
- L'utilisateur est responsable des accidents survenus à d'autres personnes ou à leurs biens.
- Ne pas utiliser le produit en cas de fatigue ou sous l'emprise de l'alcool, de drogues ou de médicaments.
- Toujours rester prudent et faire preuve de bon sens.
- Ce produit génère un champ électromagnétique pendant le fonctionnement. Ce champ magnétique peut, dans certains cas, nuire aux implants

médicaux actifs ou passifs. Pour réduire le risque de blessures graves ou mortelles, il est recommandé aux personnes ayant des implants médicaux de consulter leur médecin et le fabricant de l'implant médical avant d'utiliser le produit.

- Toujours garder le produit propre. S'assurer de pouvoir lire clairement les signes et les autocollants.
- Ne pas utiliser le produit s'il est défectueux.
- Ne pas modifier ce produit ou les blocs de batteries.
- Ne pas utiliser le produit s'il est possible que d'autres personnes aient apporté des modifications à celui-ci.
- Ne pas utiliser le produit sans les filtres nécessaires.
- Conserver tous les avertissements et toutes les instructions.

Sécurité en matière de batteries



AVERTISSEMENT : Lire les messages d'avertissement qui suivent avant d'utiliser l'appareil.



AVERTISSEMENT : Une batterie endommagée peut engendrer une explosion et des blessures. Si la batterie est détériorée ou endommagée, communiquer avec un agent d'entretien Husqvarna agréé.

- Utiliser uniquement les batteries BLi recommandées pour votre produit. Les batteries sont chiffrées au moyen d'un logiciel.
- Utiliser uniquement des batteries d'origine pour ce produit. Il existe un risque d'explosion si une batterie est remplacée par une batterie de type incorrect. Pour obtenir de plus amples renseignements, communiquer avec votre concessionnaire.
- Utiliser les batteries BLi qui sont rechargeables en tant que source d'alimentation pour les produits Husqvarna connexes seulement. Pour éviter les blessures, ne pas utiliser la batterie en tant que source d'alimentation pour d'autres appareils.
- Risque de décharge électrique. Ne pas raccorder les bornes de la batterie à des clés, des vis ou tout autre élément métallique. Cela peut provoquer un court-circuit de la batterie.
- S'il y a une fuite au niveau de la batterie, ne pas laisser le liquide toucher la peau, les vêtements ou le produit. Si on touche le liquide, nettoyer la zone avec une grande quantité d'eau et consulter un médecin.
- Utiliser des lunettes de protection en cas de présence à proximité des batteries. Si le liquide entre en contact avec les yeux, ne pas les frotter. Rincer les yeux avec de l'eau pendant au moins 15 minutes. Consulter un médecin.
- Ne pas utiliser des batteries qui ne sont pas rechargeables.
- Ne pas modifier la batterie.

- Ne pas placer d'objet dans les fentes de ventilation de la batterie.
- Maintenir la batterie à l'écart de la lumière du soleil, de la chaleur et des flammes nues. La batterie peut provoquer une explosion et causer des brûlures ou des brûlures chimiques.
- Garder la batterie à l'écart de la pluie et de l'humidité.
- Garder la batterie à l'écart des micro-ondes et des pressions élevées.
- Ne pas essayer de démonter ou de briser la batterie.
- Utiliser la batterie seulement lorsque la température ambiante est comprise entre -10 °C (14°F) et 40 °C (104 °F).
- Ne pas nettoyer la batterie ou le chargeur de batterie avec de l'eau. Se reporter à la section *Pour vérifier la batterie et son support à la page 84.*
- Ne pas utiliser une batterie endommagée.
- Garder les piles dans le local de rangement, à l'écart des objets métalliques tels que les clous, les vis ou les bijoux.
- Maintenir la batterie à l'écart des enfants.
- Fixer correctement la batterie. Une batterie mal fixée peut provoquer un court-circuit de la batterie.
- Utiliser le chargeur de batterie uniquement lorsque la température se situe entre 5 °C (41 °F) et 40 °C (104 °F). Utiliser le chargeur dans un environnement bien aéré, sec et exempt de poussière.
- Ne pas placer d'objet dans les fentes de ventilation du chargeur de batterie.
- Ne pas raccorder les bornes du chargeur de batterie aux objets métalliques, car cela peut court-circuiter le chargeur de batterie.
- Ne pas charger de batteries non rechargeables dans le chargeur de batterie ou les utiliser dans la machine.
- Utiliser des prises murales approuvées qui ne sont pas endommagées.

Sécurité de la zone de travail

- **Maintenir l'aire de travail propre et bien éclairée.** Les endroits sombres ou encombrés sont propices aux accidents.
- **Ne pas utiliser le produit dans des atmosphères explosives, notamment en présence de liquides, gaz ou poussières inflammables.** Le produit crée des étincelles qui peuvent enflammer les poussières et les vapeurs.
- **Tenir les enfants et les spectateurs à distance lorsque le produit est en marche.** Un moment d'inattention pourrait vous en faire perdre le contrôle.

Sécurité du chargeur de batteries



AVERTISSEMENT : Lire toutes les instructions et consignes de sécurité. Le non-respect de ces instructions et consignes peut provoquer une électrocution, un incendie et des blessures graves.

- Risque de choc électrique et de court-circuit si les consignes de sécurité ne sont pas suivies.
- Ne pas utiliser d'autres chargeurs de batterie que ceux fournis pour votre produit. Utiliser uniquement des chargeurs Husqvarna QC ou Husqvarna PACE lors de la recharge des batteries de rechange Husqvarna BLi ou PACE.
- Ne pas essayer de démonter le chargeur de batterie.
- Ne pas utiliser un chargeur de batterie endommagé.
- Ne pas soulever le chargeur de batterie au moyen du cordon d'alimentation. Pour débrancher le chargeur de batteries de la prise murale, tirer la fiche. Ne pas tirer le cordon d'alimentation.
- Tenir les câbles et les rallonges à l'abri de l'eau, de l'huile et des arêtes coupantes. S'assurer que le câble n'est pas coincé entre les portes, les barrières ou quoique ce soit de semblable.
- Ne pas utiliser le chargeur de batterie à proximité de matériaux inflammables ou de matériaux qui peuvent engendrer une corrosion. S'assurer que le chargeur de batterie n'est pas couvert. Débrancher la prise du chargeur de batterie en cas de fumée ou d'incendie.
- Recharger la batterie seulement dans un endroit clos avec une bonne ventilation et à l'écart de la lumière. Ne pas charger la batterie à l'extérieur. Ne pas charger la batterie dans des conditions humides.

Sécurité électrique



AVERTISSEMENT : Ne pas exposer l'appareil à la pluie ou à l'humidité, car l'eau qui pénètre dans un appareil électrique augmente le risque d'électrocution.

- **La fiche du cordon d'alimentation de l'appareil doit correspondre à la prise de courant. Ne jamais modifier la fiche de quelque façon que ce soit. Ne jamais utiliser une fiche d'adaptation avec des appareils mis à la terre.** Les fiches non modifiées et les prises adaptées à la fiche réduisent les risques d'électrocution.
- **Insérer la fiche dans une prise de courant appropriée, mise à la terre/à la masse, qui a été installée correctement et en toute sécurité et qui est conforme aux réglementations locales. En cas de doute sur le bon fonctionnement de la mise à la terre/à la masse de votre prise de courant, faites-la vérifier par un spécialiste qualifié.**
- **Éviter d'entrer en contact avec les surfaces mises à la terre ou à la masse (tuyaux, radiateurs, cuisinières, poêles, réfrigérateurs, etc.).** Le risque d'électrocution est plus important si le corps de l'opérateur est mis à la terre.
- **Vérifier que le cordon d'alimentation ne repose pas dans une flaque d'eau.**
- **Vérifier le cordon d'alimentation de l'appareil à intervalles réguliers et le faire remplacer par le fabricant ou son agent si des dommages**

sont constatés. Vérifier les rallonges à intervalles réguliers et les remplacer si elles sont endommagées.

- **Ne pas toucher le cordon d'alimentation ou la rallonge s'ils sont endommagés pendant le fonctionnement. Débrancher la fiche du cordon d'alimentation de la prise de courant.** Les cordons d'alimentation ou rallonges endommagés présentent un risque d'électrocution.
- **Toujours manipuler le cordon avec soin. Ne jamais se servir du cordon pour transporter, faire avancer ou débrancher l'appareil. Tenir le cordon à l'écart de la chaleur, de l'huile, des bords tranchants et des pièces mobiles.** Les cordons endommagés ou emmêlés augmentent le risque d'électrocution.
- **Pour le travail à l'extérieur à l'aide d'un appareil électrique, n'utilisez que des rallonges adaptées à l'usage extérieur.** L'utilisation d'une rallonge adaptée à l'extérieur réduit le risque d'électrocution.
- **En cas d'interruption de l'alimentation électrique, éteignez l'appareil et débranchez-le de la prise de courant.**
- **Ne jamais faire fonctionner l'appareil lorsqu'il est sale ou mouillé.** La poussière (en particulier la poussière provenant de matériaux conducteurs) ou l'humidité qui adhère à la surface de l'appareil peut, dans des conditions défavorables, provoquer un choc électrique. **Les appareils sales ou poussiéreux doivent donc être vérifiés par un agent de service agréé à intervalles réguliers, surtout s'ils sont utilisés fréquemment pour travailler sur des matériaux conducteurs.**
- **S'il est impossible d'éviter de faire fonctionner l'appareil dans un endroit humide, utiliser une alimentation avec dispositif de protection par courant différentiel résiduel (RCD).** Les disjoncteurs de courant résiduel réduisent le risque d'électrocution.
- Effectuer des tests de sécurité électrique périodiques sur le produit. Se reporter aux réglementations locales pour connaître la procédure à suivre.

Sécurité personnelle

- **Lors de l'utilisation du produit, toujours demeurer attentif et faire preuve de bon sens. Ne pas utiliser le produit si vous êtes fatigué ou sous l'emprise de drogues, de l'alcool ou de médicaments.** Tout moment d'inattention pendant l'utilisation du produit peut causer de graves blessures.
- **Utiliser de l'équipement de protection personnelle. Toujours porter des lunettes de protection.** En utilisant l'équipement de protection (masque antipoussière, chaussures de sécurité antidérapantes, casque, dispositif de protection pour les oreilles, etc.) qui convient aux conditions, on réduit les risques de blessure.
- **Prévenir les démarrages accidentels. Vérifier que l'interrupteur est à la position d'arrêt avant de brancher le produit dans la prise ou le bloc d'alimentation, de le saisir ou de le transporter.**

Le transport du produit en maintenant le doigt sur l'interrupteur d'alimentation et le branchement du produit alors que l'interrupteur est à la position de marche expose à des accidents.

- **Retirer toute clé ou clavette de réglage avant de mettre le produit en marche.** Une clé ou une clavette reliée à une pièce mobile du produit peut causer une blessure.
- **Ne pas trop se pencher vers l'avant. Toujours se tenir bien campé et en équilibre.** Cela permet de mieux contrôler le produit lors d'un imprévu.
- **S'habiller de façon appropriée. Ne jamais porter des vêtements amples ou des bijoux. Garder les cheveux et les vêtements loin des pièces mobiles.** Les vêtements amples, bijoux et cheveux longs peuvent se prendre dans les pièces en mouvement.
- **Si des dispositifs sont fournis pour raccorder des systèmes de collecte et d'extraction de la poussière, s'assurer que ceux-ci sont utilisés et correctement branchés.** L'utilisation de dépoussiéreurs peut réduire les risques associés à la poussière.
- **Ne pas laisser la parfaite connaissance de l'outil acquise en raison de l'utilisation fréquente de ce dernier engendrer la complaisance et le non-respect des principes de sécurité relatifs à l'outil.** Une négligence peut provoquer de graves blessures en une fraction de seconde.

Utilisation et entretien du produit

- **Ne pas soumettre l'outil à une contrainte. Utiliser le produit qui convient au travail à effectuer.** De cette façon, le résultat sera meilleur et le travail sera effectué de façon plus sécuritaire et au régime pour lequel le produit a été conçu.
- **Ne pas utiliser le produit si l'interrupteur ne permet pas de le mettre en marche et de l'arrêter.** Tout produit dont l'interrupteur est défectueux représente un danger et doit être réparé.
- **Débrancher la fiche de la source d'alimentation et/ou retirer le bloc de batteries, si détachable, du produit avant de procéder aux réglages, de changer les accessoires ou de ranger le produit.** Ces mesures de sécurité réduisent le risque de mise en marche accidentelle.
- **Ranger le produit hors de la portée des enfants et ne pas laisser des personnes qui ne connaissent pas le produit ou les présentes consignes utiliser celui-ci.** Le produit représente un danger lorsqu'il est entre les mains d'utilisateurs non formés.
- **Entretien du produit et ses accessoires. Vérifier l'outil à la recherche de pièces brisées, de mauvais alignement ou de blocage des pièces mobiles et de toute autre situation pouvant nuire au bon fonctionnement de l'outil. Si le produit est endommagé, le faire réparer avant de l'utiliser.** De nombreux accidents sont causés par des outils mal entretenus.
- **Maintenir les outils tranchants aiguisés et propres.** Les outils tranchants correctement entretenus dont

les bords de coupe sont bien affûtés sont moins susceptibles de se coincer et plus faciles à contrôler.

- **Utiliser le produit, les accessoires, les forets, etc., conformément aux présentes instructions et en tenant compte des conditions de travail et de la tâche à réaliser.** L'utilisation du produit pour des opérations autres que celles pour lesquelles il est prévu peut entraîner des dangers.
- **Garder les poignées et les surfaces de préhension sèches, propres et exemptes d'huile et de graisse.** Les poignées et les surfaces de préhension glissantes ne permettent pas de manipuler l'outil de manière sécuritaire, ni d'en conserver le contrôle lorsqu'une situation inattendue se présente.

Utilisation et entretien des outils électriques à batteries

- **Ne recharger qu'avec le chargeur indiqué par le fabricant.** Un chargeur convenant à un type de bloc de batteries particulier peut entraîner un risque d'incendie s'il est utilisé avec un autre bloc de batteries.
- **N'utiliser les produits qu'avec les blocs de batteries spécifiquement indiqués.** L'utilisation d'autres groupes de batteries peut entraîner un risque de blessure et d'incendie.
- **Lorsqu'on n'utilise pas le bloc de batteries, le tenir à l'écart d'objets métalliques, tels que les trombones, pièces de monnaie, clés, clous, vis ou autres petits objets en métal, qui peuvent établir une connexion entre les bornes.** La mise en court-circuit des bornes de la batterie peut provoquer des brûlures ou un incendie.
- **Une utilisation abusive peut laisser s'échapper du liquide de la batterie; éviter tout contact. En cas de contact accidentel, rincer abondamment à l'eau. Si du liquide entre en contact avec les yeux, consulter en outre un médecin immédiatement.** Le liquide échappé de la batterie peut provoquer des irritations ou des brûlures.
- **Ne pas utiliser un bloc de batteries ou un outil défectueux ou modifié.** Les batteries endommagées ou modifier peuvent se comporter de manière inattendue et provoquer un incendie, une explosion ou des blessures potentielles.
- **Ne pas exposer un bloc de batteries ou l'outil au feu ou à une température excessive.** Une exposition au feu ou à une température supérieure à 130°C (265°F) peut provoquer une explosion.
- **Suivre toutes les instructions de charge et ne pas charger la batterie ou l'outil en dehors de la plage de températures spécifiée dans les instructions.** Charge incorrectement ou à des températures en dehors de la plage spécifiée peut endommager la batterie et augmenter les risques d'incendie.

Service

- Seul un centre de service agréé peut effectuer l'entretien du produit, et uniquement avec des

pièces de rechange approuvées. Cela permettra de préserver la sécurité du produit.

- Ne pas procéder à l'entretien ou ouvrir les blocs de batteries. Seul un centre de service agréé doit effectuer l'entretien des blocs de batteries.
- Reportez-vous à la section *Calendrier d'entretien à la page 83* pour plus de détails.

Consignes de sécurité pour l'assemblage



AVERTISSEMENT : Lire les messages d'avertissement qui suivent avant d'assembler l'outil.

- Les modifications et/ou les accessoires non autorisés peuvent entraîner des blessures graves ou la mort de l'utilisateur ou d'autres personnes.
- Utiliser seulement les accessoires décrits dans le présent manuel. Utiliser seulement les accessoires recommandés par le fabricant.
- S'assurer que la zone d'assemblage est ferme, de sorte que l'appareil ne se renverse pas. Risque de blessures et de dégâts matériels.
- Faire preuve de prudence, puisque les fixations à bascule peuvent causer des dommages à l'opérateur lors du montage du produit.

Instructions de sécurité pour l'utilisation



AVERTISSEMENT : Lire les messages d'avertissement qui suivent avant d'utiliser le produit.

- Si le produit ne fonctionne pas correctement, heurte le sol, est endommagé, est laissé à l'extérieur ou tombe dans l'eau, arrêtez de l'utiliser. Demander à un atelier spécialisé agréé de réparer le produit.
- S'assurer que le moteur et toutes les commandes sont hors tension avant de débrancher le bloc de batteries.
- Déconnecter la batterie du produit lorsque le produit n'est pas utilisé avant de procéder à son entretien ou avant de vous éloigner du produit.
- Ne pas utiliser le produit s'il n'est pas possible d'obtenir de l'aide en cas d'accident.
- Connaître les commandes et le bon fonctionnement de l'outil avant de l'utiliser.
- Ne pas utiliser le produit à des températures inférieures à -10°C.
- Ne pas utiliser le produit dans un endroit où il y a un risque d'explosion ou dans des zones où se trouvent des liquides ou des matériaux inflammables.
- Ne pas mettre d'objets dans les ouvertures.
- Ne pas utiliser le produit si une ouverture est bloquée. Enlever la poussière, les peluches, les cheveux ou tout autre matériau susceptible de réduire le flux d'air.

- Ne pas faire fonctionner le produit quand les mains sont mouillées.
- Tenir les cheveux, les vêtements amples et toute autre partie du corps éloignés des ouvertures et des pièces en mouvement.
- Faire preuve d'une grande prudence dans les escaliers afin d'éviter tout dommage et toute blessure en cas de chute du produit.
- Toujours verrouiller les roues de transport en cas de travail sur une surface rugueuse.
- Rester à l'affût des personnes, des objets et des situations susceptibles d'entraver l'utilisation sécuritaire du produit.
- S'assurer de toujours être en mesure d'arrêter rapidement le moteur en cas d'urgence.
- Si le produit ne fonctionne pas correctement, arrêter d'utiliser le produit.
- Ne pas faire fonctionner le produit sans que Longopac et les filtres soient installés. Remplacer le sac Longopac et les filtres comme indiqué dans ce manuel.
- Toujours retirer le bloc de batteries avant de s'éloigner du produit.
- Si le produit présente des vibrations ou un niveau de bruit inhabituels, arrêter immédiatement le produit et retirer le bloc de batteries. Examiner le produit pour détecter d'éventuels dommages. Les vibrations inhabituelles indiquent généralement l'existence de dommages. Réparer les dommages ou laisser un atelier spécialisé faire la réparation.
- Toujours utiliser des accessoires approuvés. Pour obtenir de plus amples renseignements, communiquer avec son représentant Husqvarna.

Équipement de protection personnelle



AVERTISSEMENT : Lire les messages d'avertissement qui suivent avant d'utiliser le produit.

- Toujours utiliser un équipement de protection personnelle homologué lors de l'utilisation de l'outil. Cet équipement de protection personnelle n'élimine pas complètement les risques de blessures, mais il peut en réduire la gravité en cas d'accident. Le revendeur aidera l'utilisateur à sélectionner l'équipement adéquat.
- Vérifier régulièrement l'état de l'équipement de protection personnelle.
- Porter un casque de protection approuvé.
- Porter un dispositif de protection homologué pour les oreilles.
- Utiliser une protection respiratoire approuvée de classe P2 ou supérieure.
- Utiliser un dispositif de protection homologué pour les yeux.
- Porter des gants de protection.
- Utiliser des chaussures de protection.

Consignes de sécurité pour la maintenance



AVERTISSEMENT : Lire les messages d'avertissement qui suivent avant de procéder à l'entretien du produit.

- Retirer la batterie avant d'effectuer l'entretien, de procéder à d'autres contrôles ou d'assembler le produit.
- L'opérateur ne doit effectuer que les travaux de réparation et d'entretien décrits dans ce manuel d'utilisation. Se rendre dans le centre de service agréé pour les travaux de réparation ou d'entretien plus importants.
- Ne pas nettoyer la batterie ou le chargeur de batterie avec de l'eau. Les détergents puissants peuvent endommager le plastique.
- En absence d'entretien, cela réduit la durée de vie du produit et augmente le risque d'accidents.
- Une formation spécifique est nécessaire pour tous les travaux d'entretien et de réparation, en particulier pour les dispositifs de sécurité sur le produit. Si toutes les vérifications indiquées dans ce manuel d'utilisation ne sont pas homologuées une fois l'entretien effectué, se rendre dans le centre de service La disponibilité des réparations et des entretiens effectués de façon professionnelle est garantie pour votre produit.
- Utiliser des pièces de rechange d'origine.

Dispositifs de sécurité sur l'outil



AVERTISSEMENT : Lire les messages d'avertissement qui suivent avant d'utiliser l'outil.

- Ne jamais utiliser un produit dont l'équipement de sécurité est défectueux! Si une inspection du produit détecte une panne, communiquer avec un agent d'entretien pour réparation.
- Ne pas utiliser le produit si les plaques et les couvercles de protection, les interrupteurs de sécurité ou d'autres dispositifs de protection ne sont pas fixés ou sont défectueux.

Toujours faire preuve de bon sens.



AVERTISSEMENT : Il ne faut en aucun cas modifier la conception originale du produit sans l'approbation du fabricant. Toujours utiliser des pièces de rechange d'origine. Les modifications et/ou les accessoires non autorisés peuvent entraîner des blessures graves ou la mort de l'utilisateur ou d'autres personnes.



AVERTISSEMENT : Les outils servant à poncer ou former des matériaux (couteaux, meules, perceuses, etc.) peuvent produire de la poussière et des vapeurs contenant des produits chimiques dangereux. Vérifier le type de matériau avec lequel vous devez travailler et utiliser un masque filtrant approprié.

Il n'est pas possible de couvrir toutes les situations imaginables auxquelles vous pourriez faire face lors de l'utilisation du produit. Toujours faire preuve d'attention et de bon sens. Éviter toutes les situations qui vous semblent difficiles. En cas d'incertitude au sujet des procédures d'utilisation après avoir lu ces instructions, consulter un expert avant de continuer.

N'hésitez pas à communiquer avec votre représentant Husqvarna si vous avez des questions supplémentaires sur l'utilisation du produit. Nous sommes à votre disposition et nous vous fournissons des conseils et de l'aide sur l'utilisation efficace et sécuritaire de votre produit.

Demander au concessionnaire Husqvarna de vérifier le produit régulièrement et d'effectuer les ajustements et les réparations essentiels.

Husqvarna AB a mis en place une politique de perfectionnement continu des produits. Husqvarna se réserve le droit de modifier la conception et l'apparence des produits sans préavis et sans obligation supplémentaire d'apporter des modifications à la conception.

Tous les renseignements et toutes les données contenus dans le manuel d'utilisation étaient pertinents au moment où celui-ci a été envoyé à l'impression.

Bluetooth®



MISE EN GARDE : Les modifications ou les changements apportés à cet équipement non expressément approuvés par Husqvarna peuvent annuler l'autorisation de la FCC d'utiliser cet équipement.

Avis : Cet appareil est conforme à l'article 15 de la réglementation FCC et à la norme RSS d'Industrie Canada pour les appareils exempts de licence. Son utilisation est soumise aux deux conditions suivantes :

- Cet appareil ne doit pas causer d'interférences nuisibles.
- Cet appareil doit accepter toute autre interférence, y compris les interférences pouvant causer un fonctionnement non désiré.

Remarque : Cet équipement a été testé et trouvé conforme aux limites d'un appareil de classe B, conformément à l'article 15 des règlements de la FCC. Ces limites sont conçues pour fournir une protection raisonnable contre les interférences nuisibles dans une installation résidentielle. Cet équipement produit, utilise et peut émettre des fréquences radio et, s'il n'est pas installé et utilisé conformément aux instructions, il peut provoquer des interférences nuisibles aux communications radio. Cependant, il n'y a aucune garantie que des interférences ne pourront pas se produire dans une installation particulière. Si cet équipement engendre des interférences nuisibles pour la réception radio ou télévisuelle, ce qui peut être déterminé en éteignant l'équipement, l'utilisateur est encouragé à essayer de corriger l'interférence en prenant une ou plusieurs des mesures suivantes :

- Réorienter ou déplacer l'antenne réceptrice.
- Augmenter la distance entre l'équipement et le récepteur.
- Raccorder l'équipement à une prise située sur un circuit différent de celui sur lequel le récepteur est raccordé.
- Communiquer avec le concessionnaire ou un technicien radio/TV expérimenté pour obtenir de l'aide.

Le présent appareil est conforme aux CNR d'Industrie Canada applicables aux appareils radio exempts de licence. L'exploitation est autorisée aux deux conditions suivantes :

- l'appareil ne doit pas produire de brouillage, et
- l'appareil doit accepter tout brouillage radioélectrique subi, même si le brouillage est susceptible d'en compromettre le fonctionnement.

Déclaration de conformité des fournisseurs pour Husqvarna DE 110i H, DE 120 H PACE

Information de conformité à 47 CFR § 2.1077

Partie responsable

Husqvarna Construction Products North America, Inc.

17400 W 119th Street

Olathe, Kansas 66061

États-Unis

Personnes-ressources aux États-Unis : Neil Stanford, responsable de la conformité, Numéro de téléphone : 913-928-1000

Fonctionnement

Avant d'utiliser le produit

Remarque : Les conditions de fonctionnement sont les suivantes : altitude maximale de 800 m/2625 pieds, température comprise entre -10°C/14°F et +40°C/104°F et humidité de 85 %.

Remarque : Lire attentivement le manuel de l'opérateur concernant l'équipement accessoire. Si des exigences ou des réglages spécifiques sont indiqués pour l'extracteur de poussière, s'assurer de les respecter.

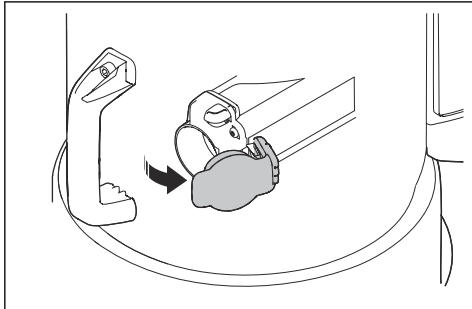
1. Lire attentivement le manuel de l'opérateur et veiller à bien comprendre les directives.
2. Effectuer l'entretien quotidien. Se reporter à *Calendrier d'entretien à la page 83*.
3. S'assurer que la zone de travail est propre et bien éclairée.
4. Utiliser de l'équipement de protection personnelle. Se reporter à *Équipement de protection personnelle à la page 73*.
5. S'assurer que le produit est installé correctement.
6. Vérifier que la batterie est chargée à bloc.

Pour connecter le tuyau de l'extracteur de poussière

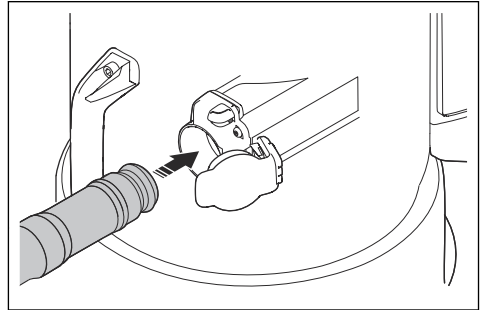


AVERTISSEMENT : Utiliser un tuyau antistatique pour éviter les effets antistatiques.

1. Ouvrir le connecteur de tuyau.



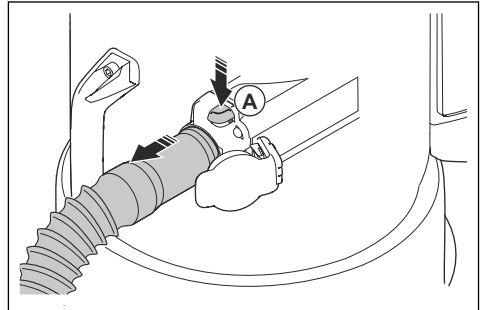
2. Placer l'adaptateur de tuyau sur le connecteur de tuyau.



3. Pour le mettre en position correcte, pousser l'adaptateur de tuyau jusqu'à entendre un déclic.

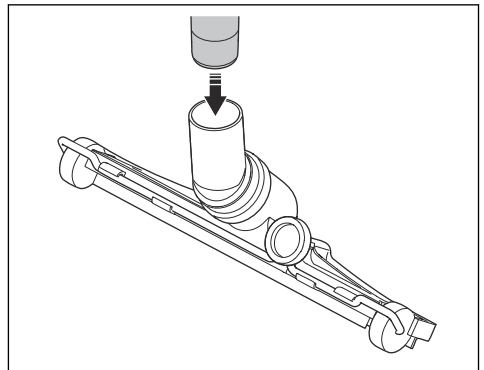
Pour enlever le tuyau de l'extracteur de poussière

- Appuyer sur le bouton de verrouillage du tuyau (A) et extraire le tuyau de l'extracteur de poussière.

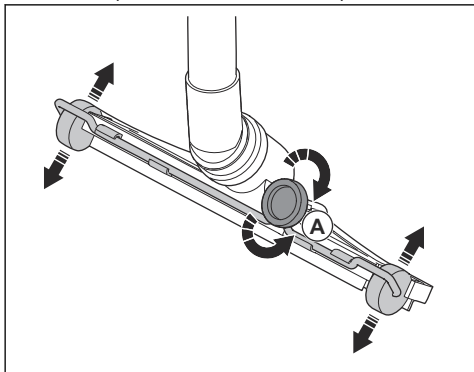


Pour fixer et régler la buse de sol

1. Introduire l'extrémité de la poignée complètement dans l'arbre de la buse de sol.



2. Tourner le bouton (A) à l'arrière de la buse de sol pour régler les roues de la buse de sol. Compte tenu des différentes surfaces et des différents types de poussière et de matériaux, il est nécessaire de régler les roues pour obtenir les meilleures performances.



Bluetooth® technologie sans fil

Les produits Bluetooth® dotés de la technologie sans fil intégrée peuvent se connecter à des appareils mobiles et permettre des fonctions supplémentaires depuis la connexion Husqvarna.

Le symbole de la technologie sans fil *Bluetooth®* s'allume lorsque votre appareil mobile est connecté au produit.



Pour utiliser la connectivité intégrée avec la flotte

Remarque : Cette partie concerne uniquement les produits fournis avec une connectivité intégrée.

Remarque : La transmission radio par la fonction Bluetooth® est activée lors de la première connexion à la source d'alimentation et reste activée par la suite.

1. Télécharger l'application Husqvarna Fleet Services pour iOS ou Android Husqvarna Fleet Services.
2. Visiter le site Web Husqvarna Fleet Services <https://fleetservices.husqvarna.com> pour obtenir de plus amples renseignements.

Pour brancher le chargeur de batterie

1. Brancher le chargeur de batterie à la tension et la fréquence indiquées sur la plaque signalétique.

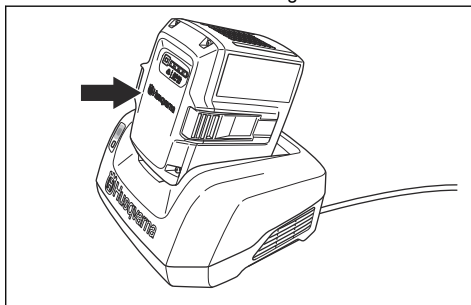
2. Placer la fiche dans une prise mise à la terre. La DEL du chargeur de batterie clignote en vert une fois.

Remarque : La batterie ne se charge pas si sa température est supérieure à 50 °C (122 °F). Si la température est supérieure à 50 °C (122 °F), le chargeur de batterie refroidit la batterie.

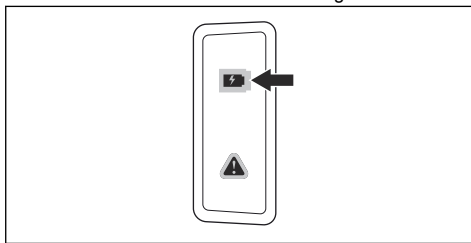
Pour connecter la batterie au chargeur de batterie.

Remarque : Charger la batterie avant de l'utiliser pour la première fois. Les batteries neuves sont chargées à 30 % seulement.

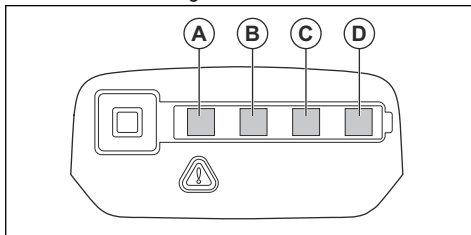
1. S'assurer que la batterie est sèche.
2. Insérer la batterie dans le chargeur de batterie.



3. Vérifier que le témoin vert de mise en charge sur le chargeur s'allume. Cela signifie que la batterie est correctement branchée dans le chargeur.



4. Quand tous les témoins de la batterie sont allumés, la batterie est chargée à bloc.



5. Pour débrancher le chargeur de la prise murale, tirer la fiche. Ne pas tirer le cordon d'alimentation.
6. Retirer la batterie du chargeur.

Remarque : Pour plus de renseignements, se reporter aux manuels de la batterie et du chargeur.

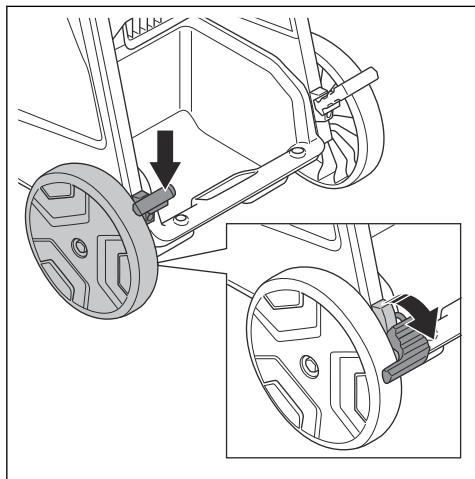
Pour verrouiller et déverrouiller les roues de transport

Pour faire fonctionner l'appareil sur une surface en pente, il est nécessaire de verrouiller les roues de transport.



AVERTISSEMENT : Les roues et les roulements doivent être propres et sans poussière pour un fonctionnement sûr. Se reporter à *Calendrier d'entretien* à la page 83.

1. Maintenir le produit dans une position stationnaire et sûre.
2. Appuyer sur le frein de roue de chaque côté pour verrouiller les roues.

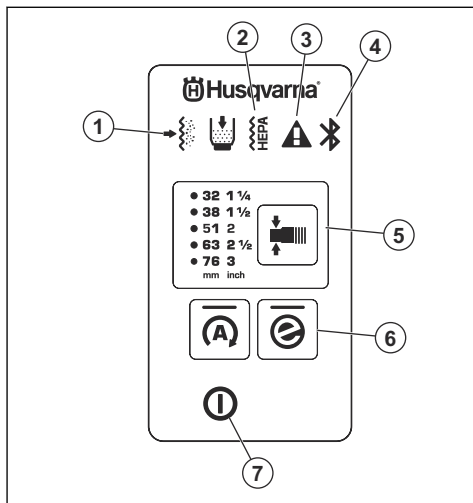


Remarque : DE110i H n'a qu'un seul frein de roue.

3. Tirer les freins de roue vers le haut pour déverrouiller les roues.

Fonctions du panneau de commande

Le panneau de commande contrôle et surveille les fonctions et configurations importantes du produit. Se reporter à *Avertissements sur le panneau de commande* à la page 89 pour trouver les solutions pour les avertissements.



1. Le préfiltre est bouché. Se reporter à *Pour éliminer les particules de poussière du pré-filtre en cours de fonctionnement* à la page 80.
2. Le filtre HEPA est bouché, endommagé ou manquant. Se reporter à *Avertissements sur le panneau de commande* à la page 89.
3. Avertissement. Se reporter à *Avertissements sur le panneau de commande* à la page 89.
4. Connexion Bluetooth®. Se reporter à *Pour utiliser la connectivité intégrée avec la flotte* à la page 76.
5. Fonction de changement de diamètre du tuyau, se reporter au *Pour sélectionner le diamètre de la buse du tuyau* à la page 78
6. bouton e-Flow, se reporter à *Fonction e-Flow* à la page 77
7. Bouton On/Off (marche/arrêt)

Fonction e-Flow





L'article est doté d'une fonction e-Flow. Cette fonction ajuste automatiquement la circulation d'air selon la charge de travail pour une performance optimale. Le produit s'active toujours par les derniers paramètres utilisés.

Reportez-vous à *Fonctions du panneau de commande* à la page 77 pour activer ou désactiver la fonction.

Système d'avertissement relatif au débit d'air

Le débit d'air dans le tuyau d'aspiration doit être supérieur à 20 m/s (66 pi/s).

Pour connaître le débit d'air minimal correspondant au diamètre de tuyau sélectionné, se reporter au tableau.

DE 110i H		DE 120 H PACE	
 max. Ø	 V min	 max. Ø	 V min
po (mm)	pi ³ /min (m ³ /h)	po (mm)	pi ³ /min (m ³ /h)
1 (27)	24 (41)	1 ½ (38)	48 (82)
1 ¼ (32)	34 (58)	1 ⅝ (42)	59 (100)
1 ½ (38)	48 (82)	2 (51)	87 (147)
1 ⅝ (42)	59 (100)	2 1/2 (63)	132 (224)
2 (51)	87 (147)	3 (76)	192 (327)

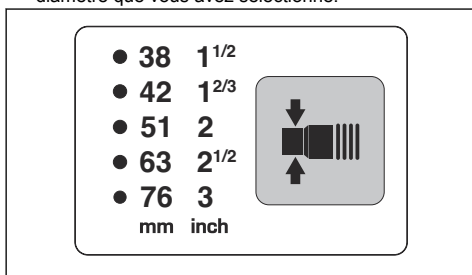
Remarque : Si le débit d'air est inférieur à 20 m/s (66 pi/s), l'alarme sonore et le symbole d'avertissement s'affichent. Se reporter à la section *Avertissements sur le panneau de commande* à la page 89.

Pour sélectionner le diamètre de la buse du tuyau

Remarque : Si le diamètre du tuyau n'est pas sélectionné correctement, le système d'avertissement du débit d'air s'allume.

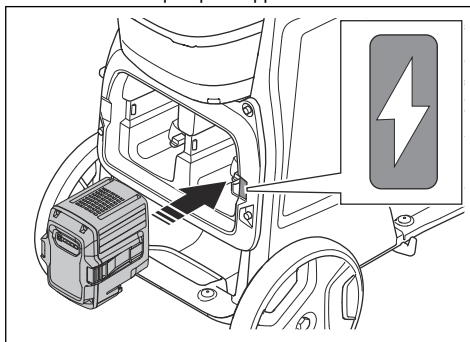
Lors de la mise en marche du produit, le dernier diamètre de tuyau sélectionné est sélectionné automatiquement.

- Appuyer sur le bouton pour sélectionner le bon diamètre de tuyau. Le témoin à DEL vert indique le diamètre que vous avez sélectionné.



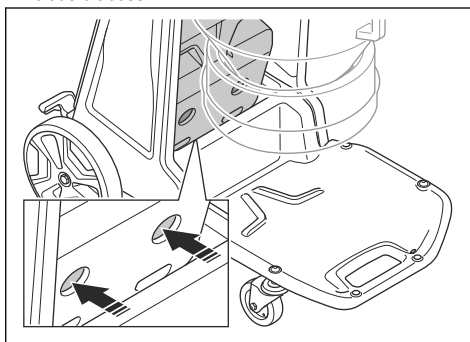
Pour installer et retirer la batterie

- Insérer la batterie dans son support. Le symbole de l'électricité indique quel support est sous tension.

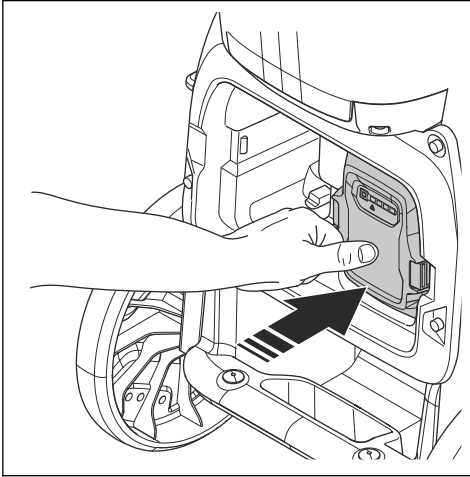


MISE EN GARDE : S'assurer que la batterie est correctement installée dans son support. Si la batterie ne s'insère pas facilement dans son support, elle n'est pas bien installée.

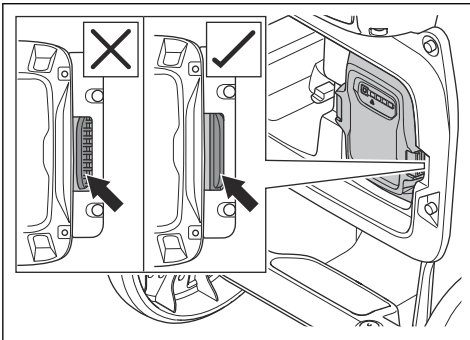
- Enlever une batterie bloquée en la poussant par les trous d'accès.



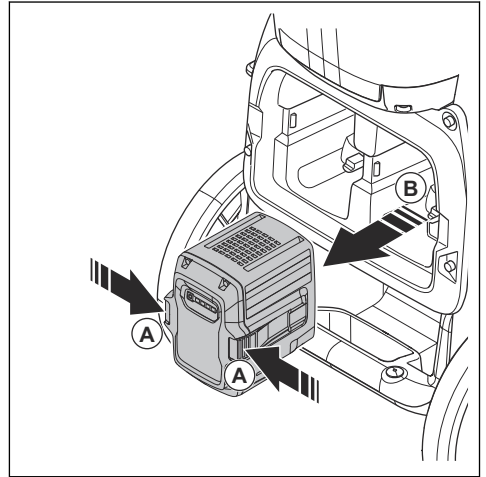
- Appuyer sur la partie inférieure de la batterie jusqu'à entendre un clic.



- Examiner l'indicateur de verrouillage de la batterie pour vérifier que la batterie est correctement installée. Ceci s'applique uniquement pour DE 120 H PACE.



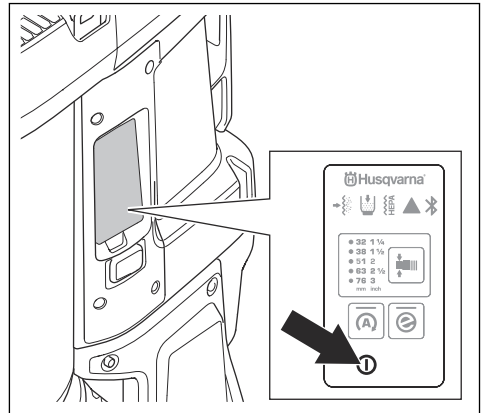
- Appuyer sur les boutons de déverrouillage (A) de la batterie (B) pour retirer celle-ci de son support afin d'éviter un démarrage accidentel.



Démarrage et arrêt

Remarque : L'aspiration n'est pas à pleine capacité directement au démarrage, l'aspiration fonctionne pleinement après 5 secondes.

- Installer la batterie. Se reporter à *Pour installer et retirer la batterie à la page 78.*
- Appuyer sur le bouton ON/OFF (marche/arrêt) pour démarrer le produit.



- Sélectionner le diamètre de tuyau approprié. Se reporter à *Pour sélectionner le diamètre de la buse du tuyau à la page 78.*
- Pour arrêter le produit, appuyer sur le bouton On/Off (marche/arrêt) et le maintenir enfoncé jusqu'à ce que le témoin à DEL vert s'éteigne.

- Retirer la batterie de son support. Se reporter à *Pour installer et retirer la batterie à la page 78.*

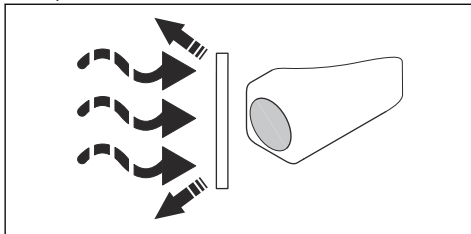
Compteur horaire (Hour meter)

La fonction « Compteur horaire » (« hour meter ») indique la durée totale de fonctionnement du produit en heures.

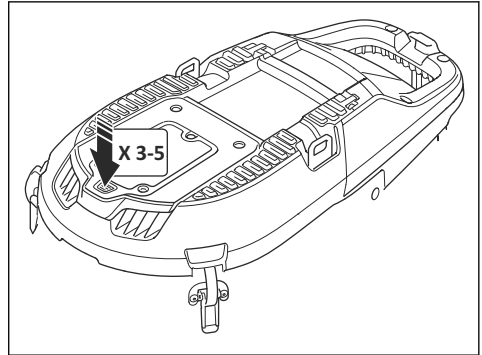
Pour éliminer les particules de poussière du pré-filtre en cours de fonctionnement

La procédure de vidange du filtre élimine les matières indésirables du pré-filtre. Cette procédure est à effectuer dans les situations suivantes :

- Avant un arrêt de travail ou à la fin de chaque journée de travail. Si le produit est arrêté pendant un certain temps, la poussière a le temps de retomber. La procédure de vidange du filtre est alors plus puissante.
 - Lorsque la puissance d'aspiration est insuffisante.
 - Avant l'installation d'un nouveau sac Longopac.
 - Lorsque l'alarme de colmatage du pré-filtre se déclenche.
- Arrêter le produit pour laisser la poussière tomber dans le sac Longopac.
 - Démarrer l'outil. Se reporter à la section *Démarrage et arrêt à la page 79.*
 - Couper le débit d'air qui passe par la bouche d'entrée d'air à l'aide du bouchon d'entrée d'air ou de la soupape d'admission pour provoquer une dépression.



- Attendre 5 secondes que la dépression se produise, puis appuyer sur le bouton de vidange du filtre. Effectuer cette étape 3 à 5 fois. Il est important de laisser le produit produire une dépression entre chaque pression sur le bouton.



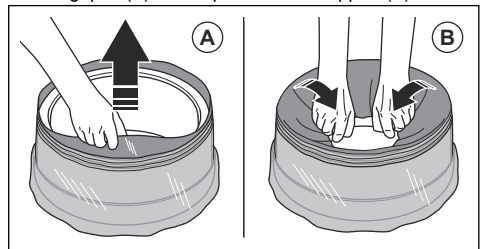
Si l'aspiration n'est pas suffisante après cette procédure, il est nécessaire de nettoyer le pré-filtre à l'eau. Se reporter à la section *Pour nettoyer le préfiltre à l'eau à la page 85.*

Pour installer une nouvelle cassette de sac Longopac

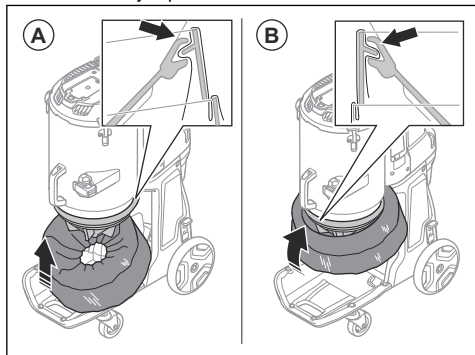


MISE EN GARDE : Nettoyez le préfiltre avant d'installer une nouvelle cassette Longopac. Se reporter à *Pour nettoyer le préfiltre à l'eau à la page 85.*

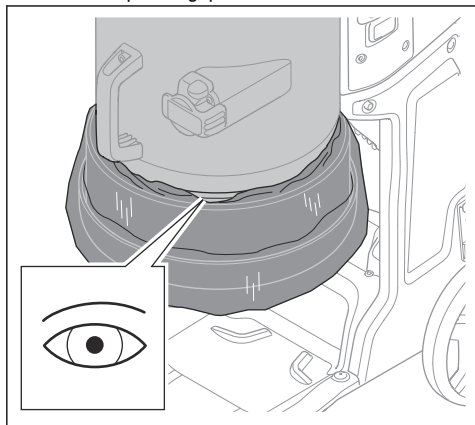
- Placer la cassette Longopac autour du bord intérieur du support Longopac.
- Ôter les 4 courroies après avoir placé la Longopac dans le support.
- Faire remonter la couche intérieure de la cassette Longopac (A) et la replier dans le support (B).



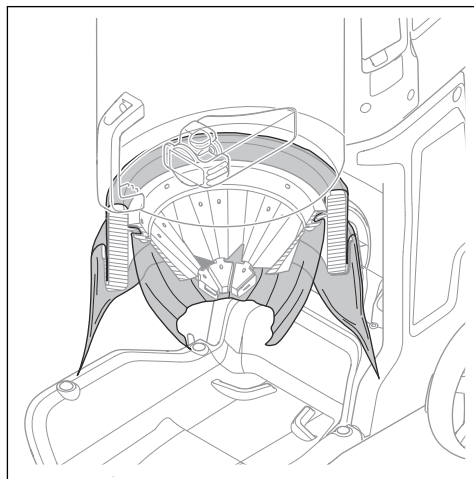
4. Fixer le support Longopac à la partie arrière du bac (A). Fixer ensuite le support Longopac sur les côtés et à l'avant du bac (B). Pousser le support Longopac vers le haut jusqu'à entendre un clic.



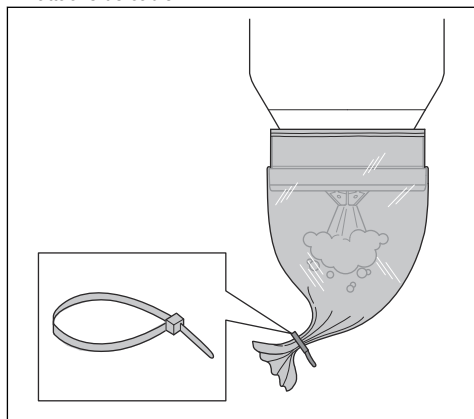
5. S'assurer que Longopac est scellée.



6. Tirer la couche extérieure de la cassette Longopac vers le bas.



7. Fermer la base de la Longopac au moyen d'une attache de câble.

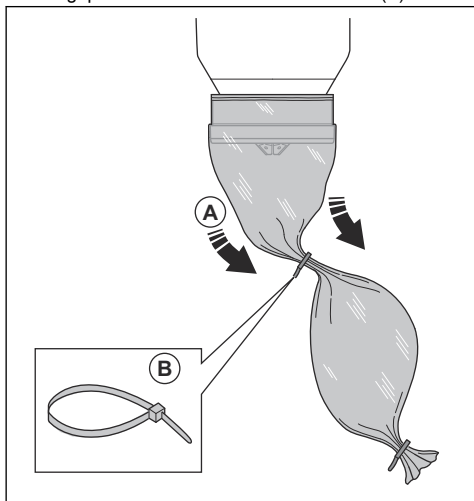


Pour enlever un sac Longopac plein et en préparer un nouveau

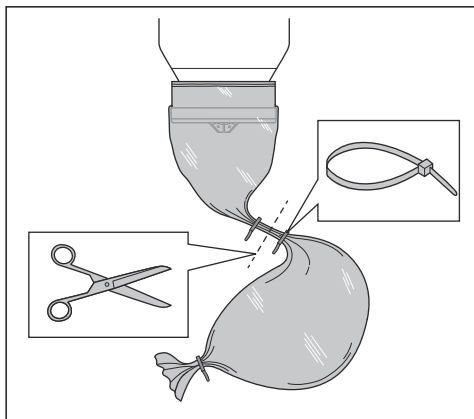


AVERTISSEMENT : Soulever le sac Longopac avec précaution, un sac Longopac plein peut être lourd. S'assurer que les attaches de câble sont correctement fermées avant de soulever le sac Longopac.

1. Sortir le sac Longopac (A) et fermer le nouveau sac Longopac à l'aide d'une attache de câble (B).



2. Secouer pour faire tomber la poussière dans le sac Longopac usagé.
3. Fixer une attache de câble 10 cm/3.9 po en dessous de la première attache de câble pour fermer le sac Longopac usagé. Couper le sac Longopac entre les attaches de câble.



4. Si la partie restante de la cassette du sac Longopac est trop petite pour préparer un nouveau sac Longopac, installer une nouvelle cassette de sac Longopac. Se reporter à *Pour installer une nouvelle cassette de sac Longopac à la page 80*.
5. Se conformer aux réglementations locales pour disposer du sac Longopac plein.

Après avoir utilisé le produit

1. Effectuer la procédure de vidange du filtre. Se reporter à *Pour éliminer les particules de poussière du pré-filtre en cours de fonctionnement à la page 80*.
2. Arrêter le produit, se référer à la section *Démarrage et arrêt à la page 79*.
3. Disposer du sac Longopac. Se reporter à *Pour enlever un sac Longopac plein et en préparer un nouveau à la page 81*.
4. Nettoyer le produit. Se reporter à *Nettoyage du produit à la page 84*.
5. Préparer le produit pour le transport. Se reporter à *Pour déplacer le produit sur de longues distances à la page 92*.

Entretien

Introduction



AVERTISSEMENT : Lire et comprendre le chapitre sur la sécurité avant de faire l'entretien de l'outil.



AVERTISSEMENT : Retirer la batterie avant d'effectuer l'entretien de l'outil.



AVERTISSEMENT : Un entretien mal effectué peut réduire la durée de vie du produit et augmenter le risque d'accident.

Toutes les opérations d'entretien ou de réparation doivent également être réalisées par un professionnel. Pour obtenir de plus amples renseignements, communiquer avec votre centre de services.

pour disposer correctement des poussières dangereuses, avant et pendant l'entretien.

Calendrier d'entretien

La fréquence d'entretien est calculée sur la base d'une utilisation quotidienne. Les intervalles changent si le produit n'est pas utilisé tous les jours.



AVERTISSEMENT : S'assurer de respecter toutes les réglementations locales

Entretien	Avant chaque usage	Quotidien	Hebdomadaire	Si l'aspiration est faible	Tous les 12 mois ou toutes les 600 h	Tous les 24 mois ou toutes les 2000 h
Effectuer la procédure de vidange du filtre. Se reporter à la section <i>Pour éliminer les particules de poussière du pré-filtre en cours de fonctionnement à la page 80.</i>	X					
Rechercher des signes d'usure ou de dommages du cône en caoutchouc anti-poussière.	X					
S'assurer de l'absence de traces d'usure, de dommage ou de raccords desserrés au niveau des commandes avant de brancher la machine.	X					
Vérifier le tuyau et les connecteurs de tuyau.	X					
Rechercher des signes d'usure ou de dommages des pièces en plastique.	X					
Vérifier les anneaux de levage.	X					
S'assurer que le Longopac est conforme et qu'il est correctement fixé. Se reporter à la section <i>Pour installer une nouvelle cassette de sac Longopac à la page 80.</i>		X				
Vérifier la fonction de vidange du filtre.		X				
Vérifier les roues. S'assurer de l'absence de dommages et de raccords desserrés.			X			
Vérifier les joints du filtre			X			
Effectuer la procédure de vidange du filtre. Si l'aspiration reste insuffisante, nettoyer le préfiltre à l'eau. Se reporter à la section <i>Pour nettoyer le préfiltre à l'eau à la page 85.</i>				X		
Remplacer le préfiltre nettoyé si l'aspiration reste insuffisante. Se reporter à la section <i>Pour remplacer le préfiltre à la page 86.</i>				X		X
Remplacer le filtre HEPA.				X	X	

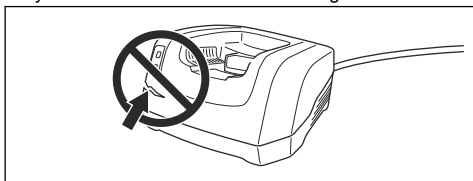
Entretien	Avant chaque usage	Quotidien	Hebdomadaire	Si l'aspiration est faible	Tous les 12 mois ou toutes les 600 h	Tous les 24 mois ou toutes les 2000 h
Remplacer le cône en caoutchouc anti-poussière.						X
Remplacer les pièces en caoutchouc de nettoyage du filtre.						X

Pour vérifier le panneau de commande.

1. Appuyer sur le bouton de marche/arrêt et le maintenir enfoncé jusqu'à ce que la DEL verte s'allume. Se reporter à *Fonctions du panneau de commande à la page 77*.
2. Maintenir le bouton de marche/arrêt enfoncé jusqu'à ce que la DEL verte s'éteigne.

Vérifier le chargeur de batterie

1. S'assurer que le chargeur de batterie et le cordon d'alimentation ne sont pas endommagés. Vérifier s'il y a des fissures ou d'autres dommages.

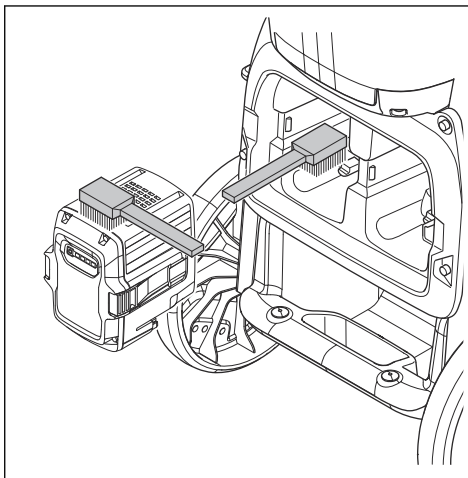


Pour vérifier la batterie et son support

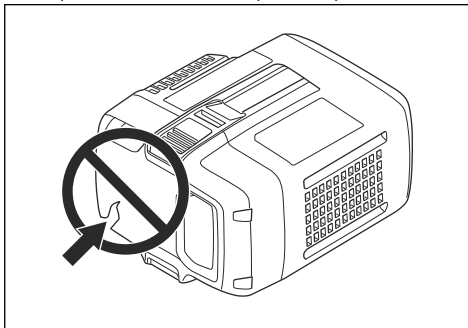


MISE EN GARDE : Ne pas nettoyer la batterie ou le chargeur de batterie avec de l'eau.

1. Nettoyer la batterie et son support à l'aide d'une brosse douce.



2. Nettoyer les fentes de refroidissement et les connecteurs de batterie.
3. S'assurer que la batterie n'est pas endommagée et ne présente aucun défaut, par exemple des fissures.



Nettoyage du produit

Le fonctionnement peut entraîner une contamination de toutes les pièces du produit et de tout l'équipement utilisé. Il est donc nécessaire de nettoyer toutes les pièces du produit et tout l'équipement utilisé de façon complète et avec soin.



AVERTISSEMENT : Débrancher le produit de la source d'alimentation.



AVERTISSEMENT : Nettoyer le produit avant de le déplacer de la zone de travail. Les poussières restantes sur le produit peuvent se répandre dans l'air et présenter un risque pour la santé.

- Utiliser de l'équipement de protection personnelle. Se reporter à *Équipement de protection personnelle* à la page 73.
- Ne pas nettoyer le produit avec un nettoyeur à haute pression ou à l'aide d'air comprimé.
- Nettoyer la surface externe au moyen d'un chiffon humide.
- Ne pas utiliser de l'eau sur les composants électriques.
- Nettoyer les filtres comme indiqué à la section *Pour nettoyer le préfiltre à l'eau* à la page 85 et *Remplacement du filtre HEPA* à la page 86.
- Après l'entretien, mettre les pièces mises au rebut dans des sacs en plastique. Se reporter aux réglementations locales pour connaître la procédure à suivre.
- En cas d'utilisation d'eau pour le nettoyage du produit, enlever le préfiltre et le Longopac avant le nettoyage. S'assurer également que l'eau ne pénètre pas dans le filtre HEPA.

Pour nettoyer le préfiltre à l'eau



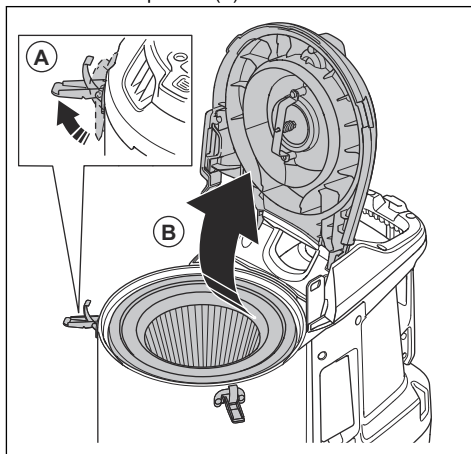
MISE EN GARDE : Ne pas nettoyer le préfiltre avec un nettoyeur à haute pression ou à l'aide d'air comprimé. Ne pas taper avec force sur le préfiltre pour le nettoyer.



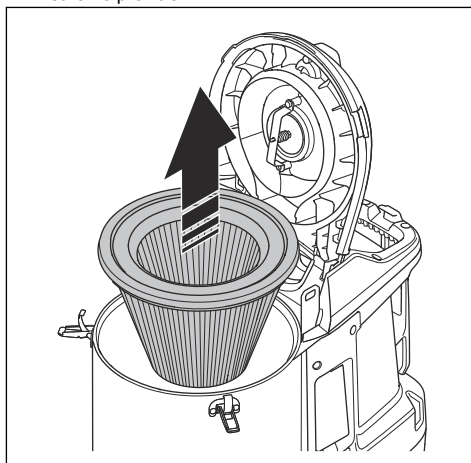
MISE EN GARDE : Ne pas le laisser sécher en plein soleil. Les joints s'assècheront.

Remarque : Un nettoyage à l'eau diminue progressivement l'efficacité du filtre.

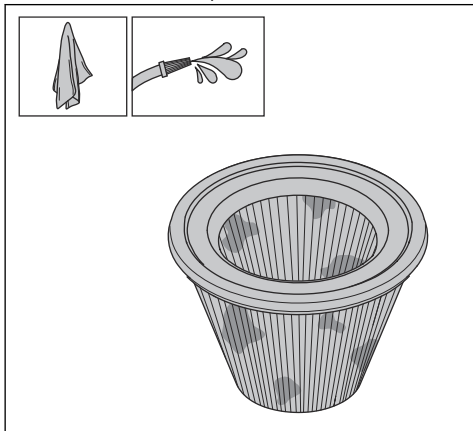
1. Desserrer les verrous du couvercle (A) et ouvrir le couvercle du préfiltre (B).



2. Retirer le préfiltre.



3. Nettoyer le préfiltre à l'eau courante en partant de la surface intérieure du préfiltre.



MISE EN GARDE : La pression de l'eau ne doit pas être supérieure à 4 bars.



MISE EN GARDE : Ne pas faire toucher ou faire glisser des éléments sur la surface du filtre, car cela pourrait endommager le filtre.

4. Laisser le préfiltre sécher complètement.



MISE EN GARDE : Le préfiltre doit être parfaitement sec avant de le réinstaller dans son boîtier.

5. Installer le préfiltre, fermer le couvercle du préfiltre et resserrer les verrous du couvercle.

Si le préfiltre ne peut pas être nettoyé complètement ou s'il est endommagé, il doit être remplacé. Se reporter à *Pour remplacer le préfiltre à la page 86.*

Remplacement du filtre



AVERTISSEMENT : Utiliser de l'équipement de protection personnelle. Se reporter à *Équipement de protection personnelle à la page 73.* Des poussières dangereuses peuvent être libérées dans l'air lors du remplacement du filtre.



AVERTISSEMENT : Arrêter le produit et débrancher la source d'alimentation avant de remplacer le filtre.

Pour remplacer le préfiltre

1. Retirer le pré-filtre. Se reporter à *Pour nettoyer le préfiltre à l'eau à la page 85.*
2. Placer soigneusement le préfiltre dans un sac en plastique.
3. Disposer correctement du sac en plastique. Se reporter aux réglementations locales.
4. Installer le nouveau préfiltre.

Si l'aspiration n'est pas suffisante lorsqu'un nouveau préfiltre est installé, il est nécessaire de remplacer le filtre HEPA. Se reporter à *Remplacement du filtre HEPA à la page 86.*

Remplacement du filtre HEPA

Le filtre HEPA ne peut pas être nettoyé. Il est toujours nécessaire de le remplacer par un nouveau filtre HEPA. Utiliser uniquement les filtres HusqvarnaHEPA.



AVERTISSEMENT : Seul un centre de service agréé ou une autorité agréée est autorisé à remplacer le filtre HEPA.



AVERTISSEMENT : Toujours utiliser un équipement de protection individuelle, se reporter à la section *Équipement de protection personnelle à la page 73.*



AVERTISSEMENT : La poussière présente dans le filtre HEPA est dangereuse pour la santé.



AVERTISSEMENT : S'assurer que le filtre HEPA ne présente pas de trous. Un filtre HEPA endommagé constitue un risque pour la santé.

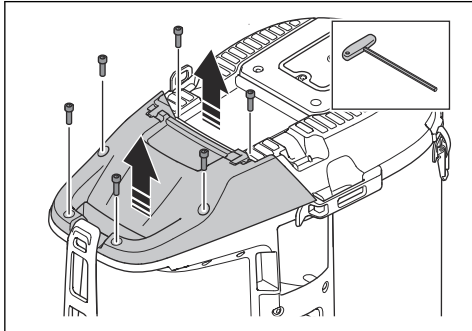


AVERTISSEMENT : Ne pas installer un filtre HEPA usé. Si vous installez un filtre HEPA usé, cela peut mener à des fuites et à une réduction de l'efficacité de filtration.

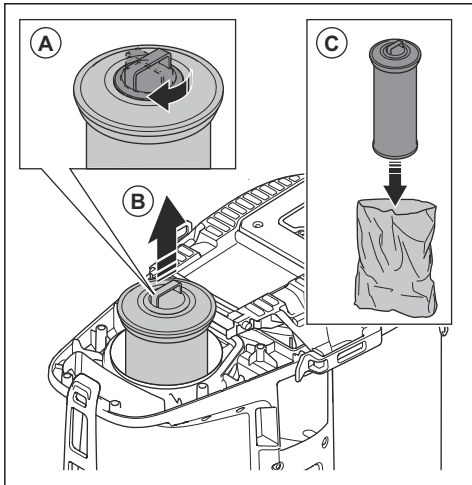


MISE EN GARDE : Ne pas toucher la surface intérieure du filtre HEPA. Cela pourrait endommager le filtre HEPA.

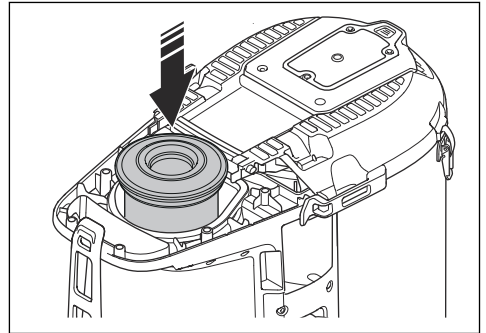
1. Desserrer les 6 vis et retirer le couvercle du filtre HEPA.



2. Fixer le capuchon anti-poussière (A) et retirer le filtre HEPA. Le mettre dans un sac en plastique propre (C).



3. Disposer correctement du sac en plastique. Se reporter aux réglementations locales.
4. Installer un nouveau filtre HEPA. Assurez-vous que le filtre HEPA est poussé à la position finale.



5. Installer le couvercle du filtre HEPA et serrer les 6 vis.

Dépannage

Annexe sur le dépannage

Problème	Cause	Solution
Le moteur s'arrête immédiatement après le démarrage ou ne démarre pas.	Il n'y a pas de courant.	Brancher la batterie au produit.
	Il y a un défaut au niveau de la batterie.	Vérifier la batterie ou la remplacer si nécessaire. Demander à un atelier spécialisé agréé de réparer le produit.
	Le témoin à DEL vert clignote sur la batterie.	Tension de batterie faible. Charger la batterie.
	Le filtre HEPA est endommagé ou n'est pas installé.	Remplacer ou installer le filtre HEPA.
	Il y a un court-circuit dans le produit.	Demander à un atelier spécialisé agréé de réparer le produit.
	Tension d'alimentation trop élevée.	S'assurer que l'alimentation électrique correcte est utilisée.
	Température ambiante trop élevée.	S'assurer que la température ambiante est dans la plage spécifiée lors de l'utilisation du produit.
Le ventilateur est cassé ou débranché.	Demander à un atelier spécialisé agréé de réparer le produit.	
Le moteur est en marche mais il n'y a pas d'aspiration.	Le tuyau de l'extracteur de poussière est mal raccordé.	Raccorder le tuyau de l'extracteur de poussière.
	Le tuyau de l'extracteur de poussière est obstrué.	Nettoyer le tuyau de l'extracteur de poussière
	Il n'y a pas de Longopac.	Installer une cassette Longopac.
	Le Longopac n'est pas fermé à l'aide d'une attache de câble.	Fixer une attache de câble.

Problème	Cause	Solution
L'aspiration n'est pas suffisante.	Tension d'alimentation trop faible.	S'assurer que l'alimentation électrique correcte est utilisée.
	Il y a un trou dans le tuyau de l'extracteur de poussière	Remplacer le tuyau de l'extracteur de poussière.
	Le préfiltre est bouché.	Retirer les particules de poussière du préfiltre. Nettoyer ou remplacer le préfiltre si nécessaire.
	Le filtre HEPA est bouché.	Remplacer le filtre HEPA. Se reporter à <i>Remplacement du filtre HEPA à la page 86</i> .
	Le couvercle supérieur est desserré.	Fermer complètement le couvercle supérieur.
	Les joints sont endommagés	Remplacer les joints.
Le moteur dégage de la poussière dans l'air.	Les filtres sont mal installés ou endommagés.	Installer les filtres correctement. Remplacer les filtres endommagés.
Un bruit inhabituel provient du produit.	S.O.	Demander à un atelier spécialisé agréé de réparer le produit.



Avertissements sur le panneau de commande



MISE EN GARDE : Ne pas utiliser le produit si le témoin rouge s'allume. Si la solution initiale ne permet pas d'éliminer

l'erreur, s'adresser à un agent de service agréé avant de remettre le produit en marche.

Symbole	Force du	Cause	Solution
	Le signal sonore et le témoin rouge s'allument.	Le préfiltre est bouché.	Effectuer une procédure de vidange du filtre, se reporter à la section <i>Pour éliminer les particules de poussière du pré-filtre en cours de fonctionnment à la page 80</i> .
		Un mauvais tuyau est connecté ou sélectionné sur le panneau de commande.	Raccorder le bon tuyau ou sélectionner la bonne dimension de tuyau sur le panneau de commande, se reporter à la section <i>Pour sélectionner le diamètre de la buse du tuyau à la page 78</i> .
		Le tuyau est endommagé ou compressé.	Remplacez le tuyau.
		Le tuyau est bouché.	Déboucher le tuyau.
	Le témoin rouge clignote.	Le tuyau d'aspiration principal est débranché.	Demander à un atelier spécialisé agréé de réparer le produit.
	Le témoin rouge s'allume.	Le filtre HEPA est manquant, saturé ou endommagé.	Vérifier le filtre HEPA, le remplacer si nécessaire. Se reporter à <i>Remplacement du filtre HEPA à la page 86</i> .

Symbole	Force du	Cause	Solution
	Le témoin rouge clignote.	Erreur batterie	Demander à un atelier spécialisé agréé de réparer le produit.
	Le témoin rouge s'allume.	La communication par fil n'est pas détectée.	Demander à un atelier spécialisé agréé de réparer le produit.
		L'unité de commande est endommagée.	Demander à un atelier spécialisé agréé de réparer le produit.
		Une mauvaise batterie est utilisée.	Utiliser la bonne batterie.
		Avertissement.	Consulter le dossier d'utilisation à partir de votre application Husqvarna Fleet ou s'adresser à un agent de service agréé.
	Le témoin jaune s'allume.	Le filtre HEPA est presque saturé.	Remplacer le filtre HEPA si nécessaire.
	Le témoin rouge s'allume.	Le filtre HEPA est saturé.	Remplacer le filtre HEPA.

Codes d'erreur

Code d'erreur	Erreur	Description	Cause(s) probable(s)	Action(s)
2	Filtre HEPA manquant.	Le produit s'arrête/ne démarre pas. + Témoin d'avertissement sur l'interface homme-machine (HMI). + Symbole HEPA sur l'interface homme-machine (HMI).	Filtre HEPA manquant ou endommagé.	Monter ou remplacer le filtre HEPA.
3	Faible tension d'alimentation.	Faibles performances (faible débit d'air/dépression).	Tension trop faible au niveau du réseau/de la source d'alimentation.	S'assurer que la grille/l'alimentation électrique utilisée est correcte.
4	Tension d'alimentation élevée.	Le produit s'arrête/ne démarre pas. + Témoin DEL d'avertissement sur l'interface homme-machine (HMI).	Tension trop élevée au niveau du réseau/de la source d'alimentation.	S'assurer que la grille/l'alimentation électrique utilisée est correcte.
			Mauvaise batterie utilisée.	Utiliser la bonne batterie.
5	Erreur du capteur de pression principal.	Le témoin du préfiltre clignote en rouge.	Le tuyau d'aspiration est débranché ou bloqué.	Communiquer avec un atelier spécialisé agréé.
			L'unité de commande est endommagée.	

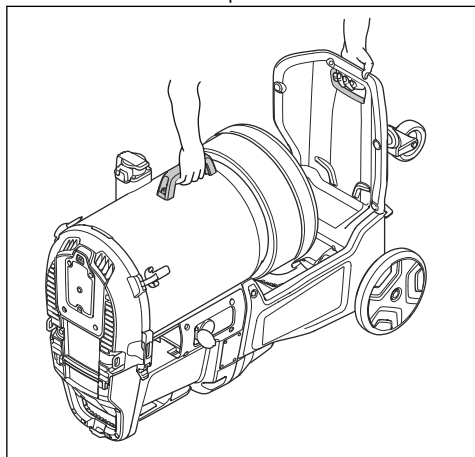
Code d'erreur	Erreur	Description	Cause(s) probable(s)	Action(s)
6	Température du circuit imprimé trop élevée.	Le produit s'arrête/ne démarre pas. + Témoin DEL d'avertissement sur l'interface homme-machine (HMI).	Température ambiante trop élevée.	Ne pas utiliser le produit en dehors de la plage de température spécifiée.
7	Mauvais fonctionnement du ventilateur.	Le produit s'arrête/ne démarre pas. + Témoin DEL d'avertissement sur l'interface homme-machine (HMI).	Le ventilateur est endommagé ou débranché.	Communiquer avec un atelier spécialisé agréé.
			L'unité de commande est endommagée.	
9	Communication unifilaire non détectée.	Le produit s'arrête/ne démarre pas. + Témoin DEL d'avertissement sur l'interface homme-machine (HMI).	Le câble est débranché ou endommagé.	Communiquer avec un atelier spécialisé agréé.

Transport, entreposage et mise au rebut

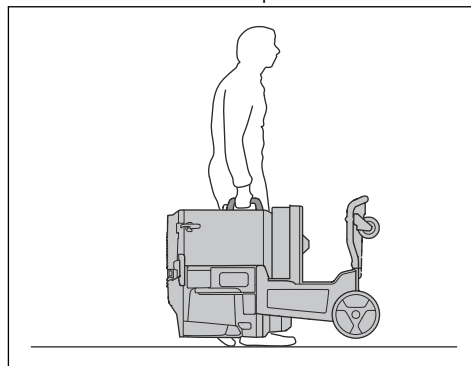
Pour déplacer le produit sur de courtes distances

S'assurer que la soupape d'admission est fermée.
S'assurer que les capuchons anti-poussière sont sur les tuyaux.

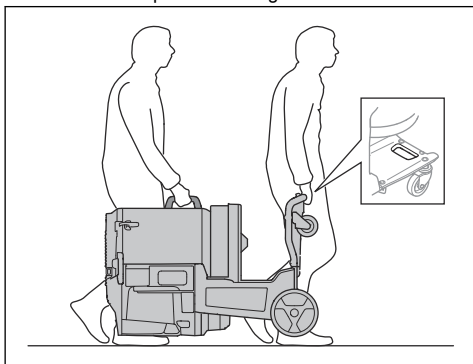
1. Placer l'outil sur un sol plat.



2. Soulevez manuellement le produit.



3. Si 2 personnes soulèvent le produit, s'assurer d'utiliser les 2 points de levage.

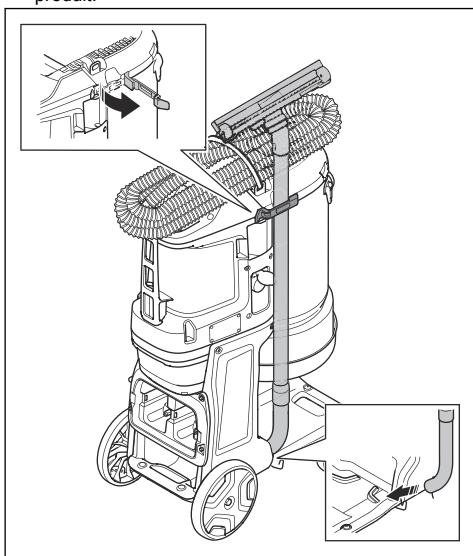


Pour déplacer le produit sur de longues distances

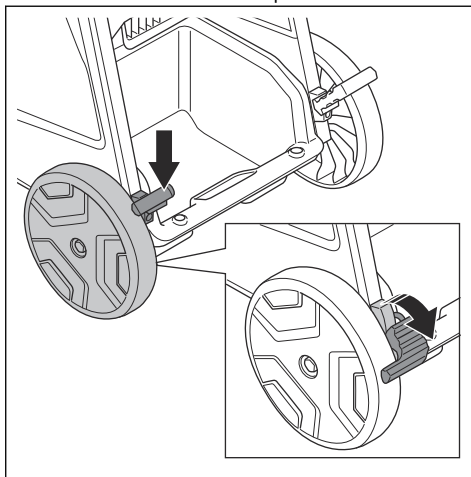
S'assurer d'utiliser un véhicule fermé pendant le transport du produit.

S'assurer que la soupape d'admission est fermée. S'assurer que les capuchons anti-poussière sont sur les tuyaux.

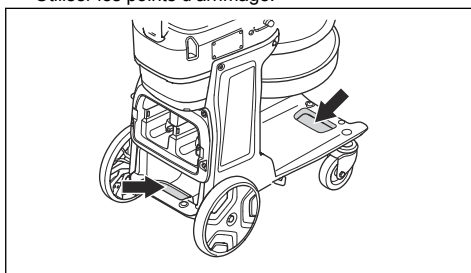
1. S'assurer que le Longopac est installé sur le produit.
2. S'assurer que le sac Longopac est vide.
3. Fixer fermement le cordon d'alimentation, le tuyau de l'extracteur de poussière et le tube de poignée au produit.



4. Verrouiller les roues de transport.



5. Soulever le produit, se reporter à *Levage du produit à la page 92*.
6. Fixer le produit en toute sécurité au véhicule de transport pour éviter tout dommage ou accident. Utiliser les points d'arrimage.



Levage du produit



AVERTISSEMENT : S'assurer que l'équipement de levage et les courroies de levage possèdent les spécifications correctes pour soulever le produit en toute sécurité. La plaque signalétique du produit indique le poids du produit, se reporter à la section *Plaque signalétique à la page 68*.



AVERTISSEMENT : Obtenir l'aide si on n'est pas sûr de la procédure de levage des équipements lourds.



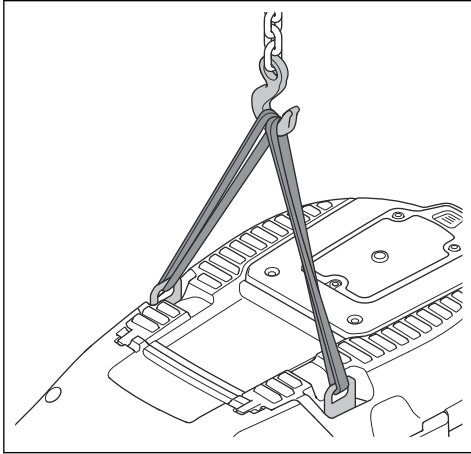
AVERTISSEMENT : Ne pas soulever le produit en présence de poussière dans le réservoir ou dans le sac. Ne pas soulever le produit si un poids

supplémentaire a été ajouté dans ou sur le produit.



AVERTISSEMENT : Ne pas soulever le produit avec des batteries installées.

1. Effectuer la procédure de vidange du filtre avant de soulever le produit. Se reporter à *Pour éliminer les particules de poussière du pré-filtre en cours de fonctionnement à la page 80.*
2. Pour soulever le produit en toute sécurité, passer les courroies dans les anneaux de levage.



AVERTISSEMENT : Ne pas utiliser de crochets métalliques, de chaînes ou d'autres équipements de levage aux bords rugueux qui pourraient endommager l'anneau de levage. Seules les courroies de levage souples sont autorisées.

Entreposage du produit



MISE EN GARDE : Entreposer le produit à l'intérieur, loin des éléments extérieurs.

- Stocker le produit dans les zones où la température ambiante est comprise entre -10 °C/14 °F et 40 °C/104 °F.
- Avant d'entreposer le produit, effectuer la procédure de vidange du filtre et disposer du Longopac contenant les matériaux récupérés
- Débrancher le produit de la source d'alimentation.
- Placer le produit dans un endroit sec et à l'abri du gel.

- Placez le produit dans un endroit fermé à clé. Ne pas laisser les enfants ou les personnes non autorisées utiliser le produit ou s'en approcher.

Mise au rebut du produit

- Respecter les exigences locales en matière de recyclage et la réglementation en vigueur.
- Lorsqu'on n'utilise plus le produit, l'envoyer à un détaillant Husqvarna ou le mettre au rebut à un emplacement de recyclage.

Données techniques

Caractéristiques techniques

Données	DE 110i H	DE 120 H PACE
Source d'alimentation	Batterie	Batterie
Tension nominale, V	36	94
Puissance maximale, W	900	2200
Courant maximal, A	20	17
Débit d'air maximal, pi ³ / m ³ /h	127 / 215	259 / 450
Dépression maximale, psi / kPa / po H2O	2,5 / 17 / 68	2,9 / 22 / 88
Sortie auxiliaire	Non	
Zone de préfiltre, pi ² / m ²	15,4 / 1,4	29,5 / 2,7
Efficacité du filtre HEPA	HEPA 13	
Surface de HEPA totale, pi ² / m ² HEPA 13	12,7 / 1,2	25,4 / 2,7
Système de collecte de la poussière, type	Longopac	
Mécanisme de nettoyage du filtre	Jet Pulse	
Dimensions L×l×H, po / mm	26,4×15,7×39,4 / 670×400×1000	32,1×21,3×44,3 / 815×542×1125
Poids, lb/kg	57 / 26	90 / 41
Niveau de puissance acoustique garanti (L _{WA}), mesuré, dB(A) ⁷	83,6	97,3
Niveau de pression sonore L _{PA} au niveau de l'oreille de l'utilisateur, en dB(A) ⁸	68,3	81,6
Niveau de vibrations a _h , m/s ²⁹	≤2,5	
Classe de protection	IP44	

Connectivité intégrée

Remarque : Cette partie concerne uniquement les produits fournis avec une connectivité intégrée.

⁷ Émission du bruit dans l'environnement mesurée en tant que puissance acoustique (LWA) conforme à la directive EN 60335-2-69. Incertitude Kwa 2dB.

⁸ Niveau de pression sonore selon la directive EN 60335-2-69. Incertitude KPA 2dB.

⁹ Niveau de vibration selon EN 60335-2-69. Les données signalées pour le niveau de vibration présentent une dispersion statistique type (écart-type) de 1 m/s².

Spectre radio de la technologie BLE	
Bandes de fréquences de l'outil, GHz	2,402-2,480
Émission maximale de radiofréquence, dBm/mW	4/2,5

Accessoires

Batteries homologuées pour le produit

Produit	DE 110i H		DE 120 H PACE	
	Batterie	BLi 200	BLi 300	100-B380X PACE
Type	Lithium-ion	Lithium-ion	Lithium-ion	Lithium-ion
Capacité de la batterie, Ah	5,2	9,4	4	8
Tension nominale, V	36	36	94	94
Poids, kg/lb	1,3 / 2,9	1,9 / 4,2	3,1 / 6,1	5,1 / 11,4

Chargeurs de batteries homologués pour le produit

Produit	DE 110i H		DE 120 H PACE	
	Chargeur de batterie	QC 330	QC 500	100-C900X PACE
Tension secteur, V	100-240	100-240	100-240	100-240
Fréquence, Hz	50-60	50-60	50-60	50-60
Puissance, W	330	500	900	1800

garantie

Le nouvel équipement vendu par Husqvarna Construction, SE- 561 82 Huskvarna, SWEDEN est garanti exempt de tout défaut de fabrication en fonctionnement normal pour une période d'un (1) an à partir de la date de l'achat par le consommateur acheteur initial.* Les fabricants des pièces proposent des périodes de garantie distinctes. Pour obtenir tous les renseignements, communiquer avec le service technique au 800 365-5040.

En vertu de cette garantie, l'obligation de Husqvarna est expressément limitée au remplacement ou à la réparation chez Husqvarna AB Products, ou à un atelier d'entretien désigné par nos soins, des pièces jugées défectueuses lors de l'inspection.

Cette garantie ne s'applique pas aux défauts occasionnés par des dommages, une utilisation abusive, des réparations inadéquates effectuées ailleurs ou aux défauts causés par l'absence d'un entretien raisonnable, pendant que le consommateur est en possession du produit. Par ailleurs, la garantie est nulle si le produit, ou l'un de ses composants sont modifiés par le consommateur ou si le produit est utilisé d'une façon inappropriée ou avec des lames non recommandées par le fabricant.

(*) Husqvarna offre une garantie de 1 an sur tous les équipements avec les exceptions suivantes :

- Grandes scies à lame plate – 2 ans (scies à lame plate diesel et essence > 30 hp)
- Moteurs de forage DM 280/DM 340/DM 650 – 2 ans
- PG 530/PG 680/PG 820 (toutes les variantes, y compris RC) – 2 ans ou 1 000 heures (selon ce qui vient en premier)
- Embrayage de lame sur les grandes scies à lame plate – 6 mois

Les pièces d'usure ne sont pas couvertes par la garantie :

- Courroies
- Roulements**
- Roues de chariot
- Filtres
- Roues***
- Plaques d'usure
- Bougies d'allumage

(**) Sauf système IntelliSeal

(***) Sauf délaminage.

Marques déposées

La marque et les logos *Bluetooth®* sont des marques déposées appartenant à *Bluetooth SIG, inc.* et tout usage de ces marques par Husqvarna est soumise à licence.



www.husqvarnaconstruction.com

Original instructions
Instrucciones originales
Instructions d'origine

1142552-49 Rev. B



2023-06-01